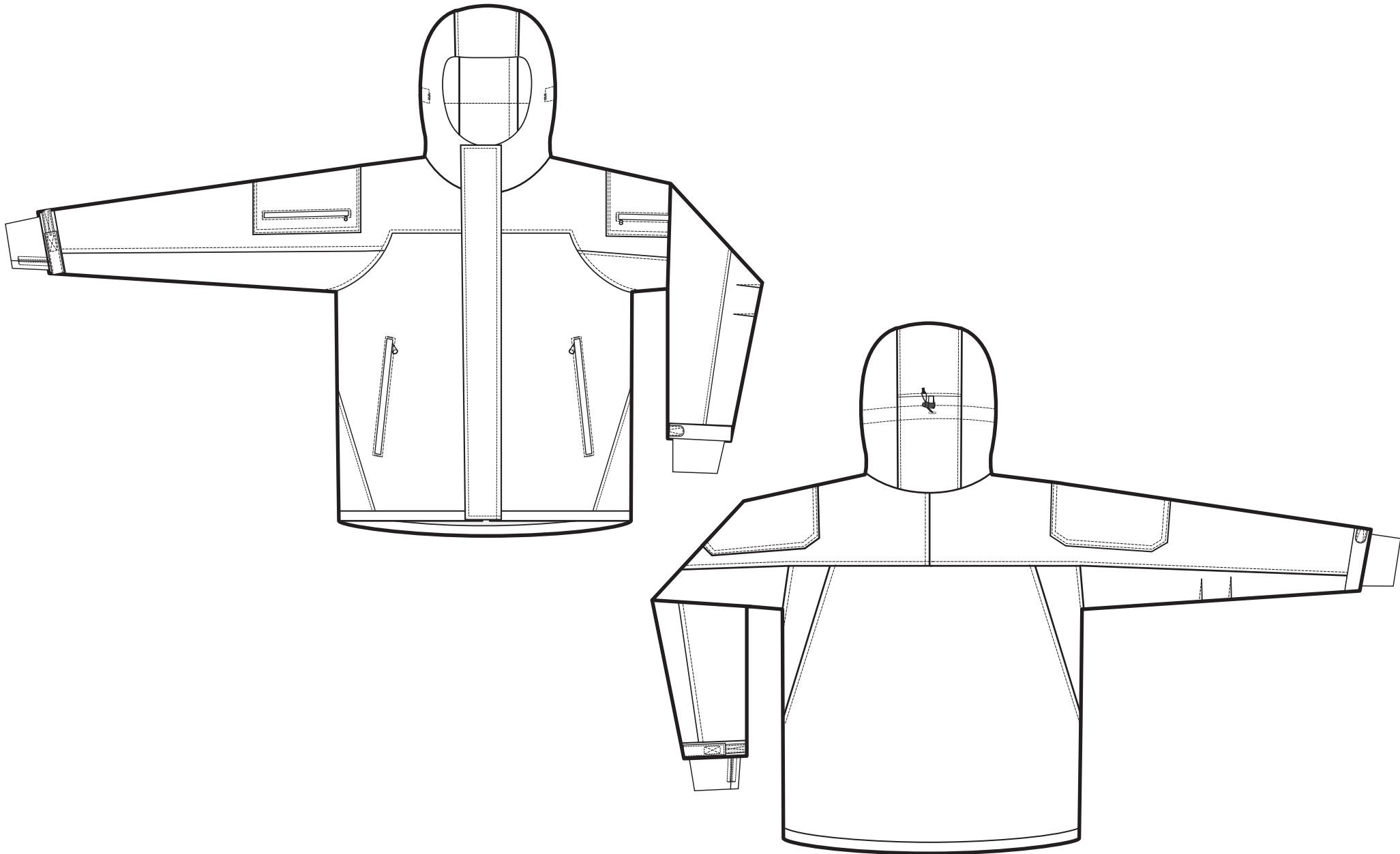


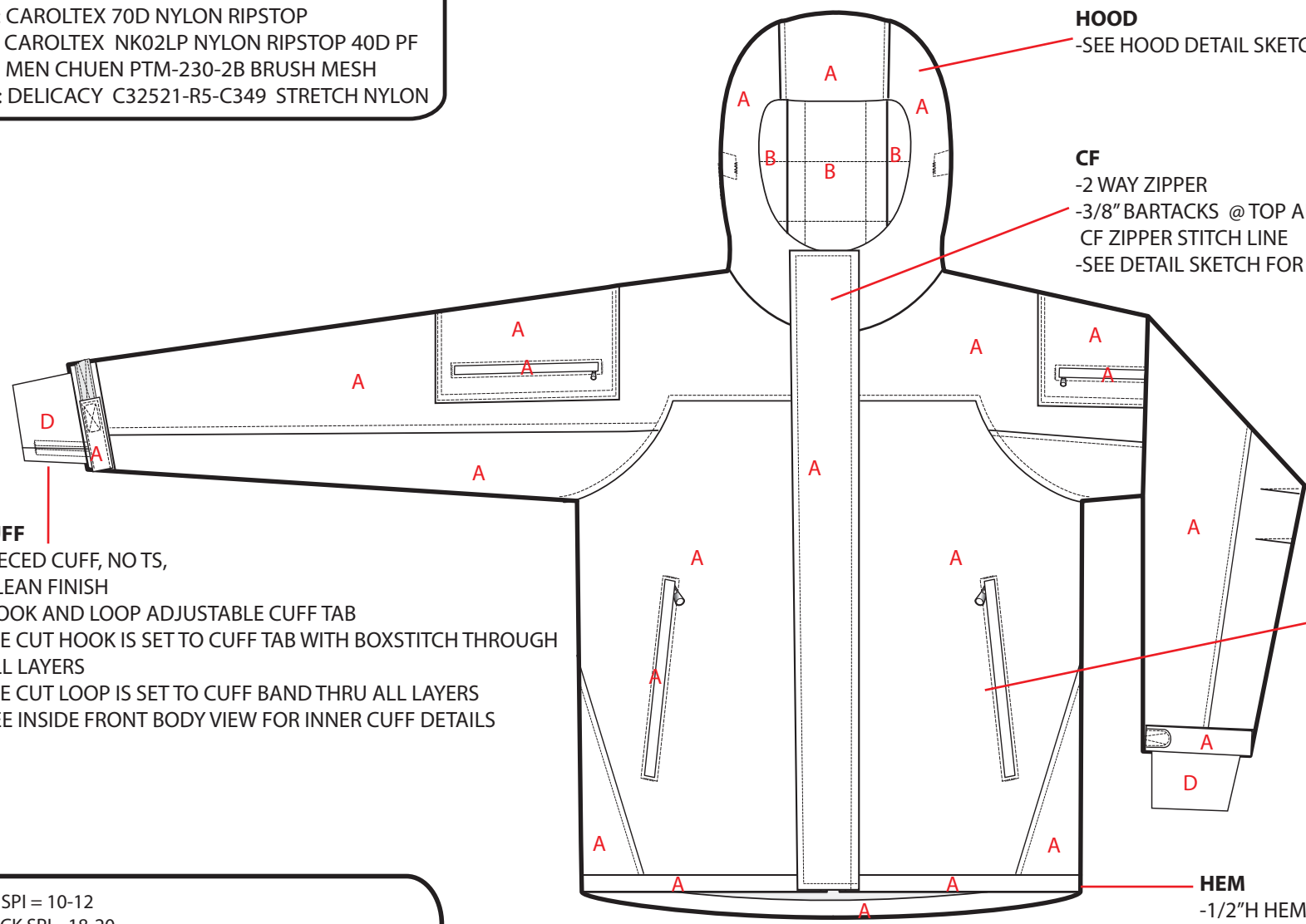
BEYOND	STYLE #:	K7-M027-F19	SEASON:	FALL 2019	SAMPLE SIZE:	LARGE	CREATED DATE:	11AUG18	
	STYLE NAME:	CETRA JACKET	STATUS:	TOP SPL	SIZE RANGE:	XS-4XL (R/S/L)	MODIFIED DATE:		
KYROS MENS	DESCRIPTION:	INSULATED JKT W/ HOOD	CATEGORY:	TOPS	COVER PAGE		PATTERN DATE:		



BEYOND	STYLE #:	K7-M027-F19	SEASON:	FALL 2019	SAMPLE SIZE:	LARGE	CREATED DATE:	11AUG18
	STYLE NAME:	CETRA JACKET	STATUS:	TOP SPL	SIZE RANGE:	XS-4XL (R/S/L)	MODIFIED DATE:	12JUL19
KYROS MENS	DESCRIPTION:	INSULATED JKT W/ HOOD	CATEGORY:	TOPS	FRONT BODY VIEW		PATTERN DATE:	

FABRIC

SHELL A: CAROLTEX 70D NYLON RIPSTOP
 SHELL B: CAROLTEX NK02LP NYLON RIPSTOP 40D PF
 SHELL C: MEN CHUEN PTM-230-2B BRUSH MESH
 SHELL D: DELICACY C32521-R5-C349 STRETCH NYLON



HOOD
 -SEE HOOD DETAIL SKETCH

CF
 -2 WAY ZIPPER
 -3/8" BARTACKS @ TOP AND BOTTOM OF CF ZIPPER STITCH LINE
 -SEE DETAIL SKETCH FOR CF PLACKET

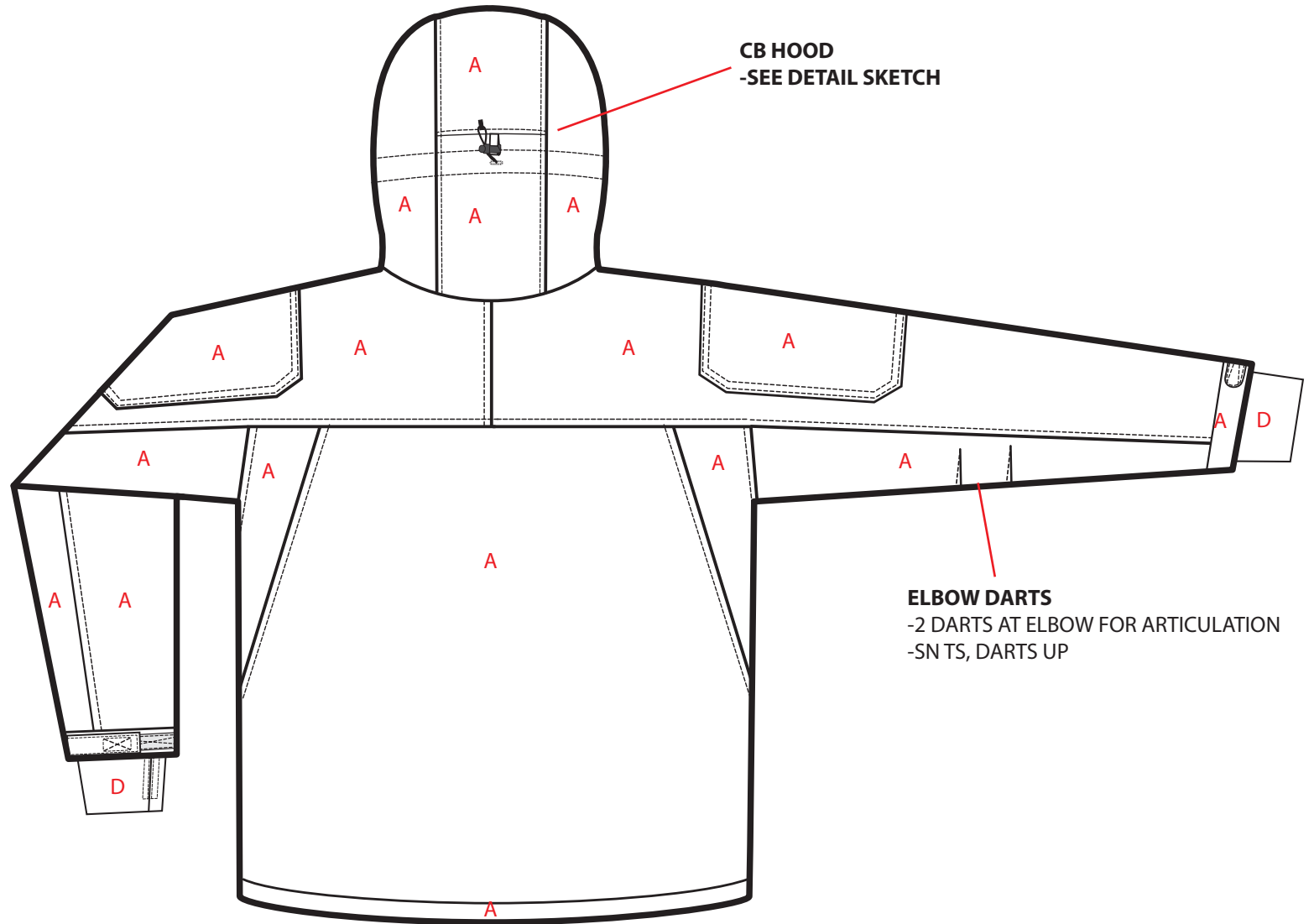
CUFF
 -PIECED CUFF, NO TS,
 -CLEAN FINISH
 -HOOK AND LOOP ADJUSTABLE CUFF TAB
 -DIE CUT HOOK IS SET TO CUFF TAB WITH BOXSTITCH THROUGH ALL LAYERS
 -DIE CUT LOOP IS SET TO CUFF BAND THRU ALL LAYERS
 -SEE INSIDE FRONT BODY VIEW FOR INNER CUFF DETAILS

HAND POCKETS
 -1 WAY ZIPPER POCKETS
 -UNDER 5/8" DEEP SINGLE WELT
 -SN ES AROUND WELT
 -HAND POCKET BAGS MUST BE CAUGHT AT CF

HEM
 -1/2"H HEM BAND, DOUBLE LAYER
 -BOTTOM EDGE ON FOLD
 -CLEAN FINISH
 -NO TOPSTITCH
 -ADJUSTABLE HEM (SEE DETAIL SKETCH)

SN / DN SPI = 10-12
 OVERLOCK SPI = 18-20
 3/8" BARTACK = 14 STITCHES
 EXPOSED ZIPPER TAPE WIDTH FOR ALL ZIPPERS = 1/2"
ALL FABRIC EDGES MUST BE OVERLOCKED
 1/4" SN TS ON ALL SEAMS EXCEPT WHERE NOTED

BEYOND	STYLE #:	K7-M027-F19	SEASON:	FALL 2019	SAMPLE SIZE:	LARGE	CREATED DATE:	11AUG18	
	STYLE NAME:	CETRA JACKET	STATUS:	TOP SPL	SIZE RANGE:	XS-4XL (R/S/L)	MODIFIED DATE:	12JUL19	
KYROS MENS	DESCRIPTION:	INSULATED JKT W/ HOOD	CATEGORY:	TOPS	BACK BODY VIEW		PATTERN DATE:		



BEYOND	STYLE #:	K7-M027-F19	SEASON:	FALL 2019	SAMPLE SIZE:	LARGE	CREATED DATE:	11AUG18
	STYLE NAME:	CETRA JACKET	STATUS:	TOP SPL	SIZE RANGE:	XS-4XL (R/S/L)	MODIFIED DATE:	12JUL19
KYROS MENS	DESCRIPTION:	INSULATED JKT W/ HOOD	CATEGORY:	TOPS	FRONT VIEW- OPEN PLACKET		PATTERN DATE:	

SLEEVE POCKETS

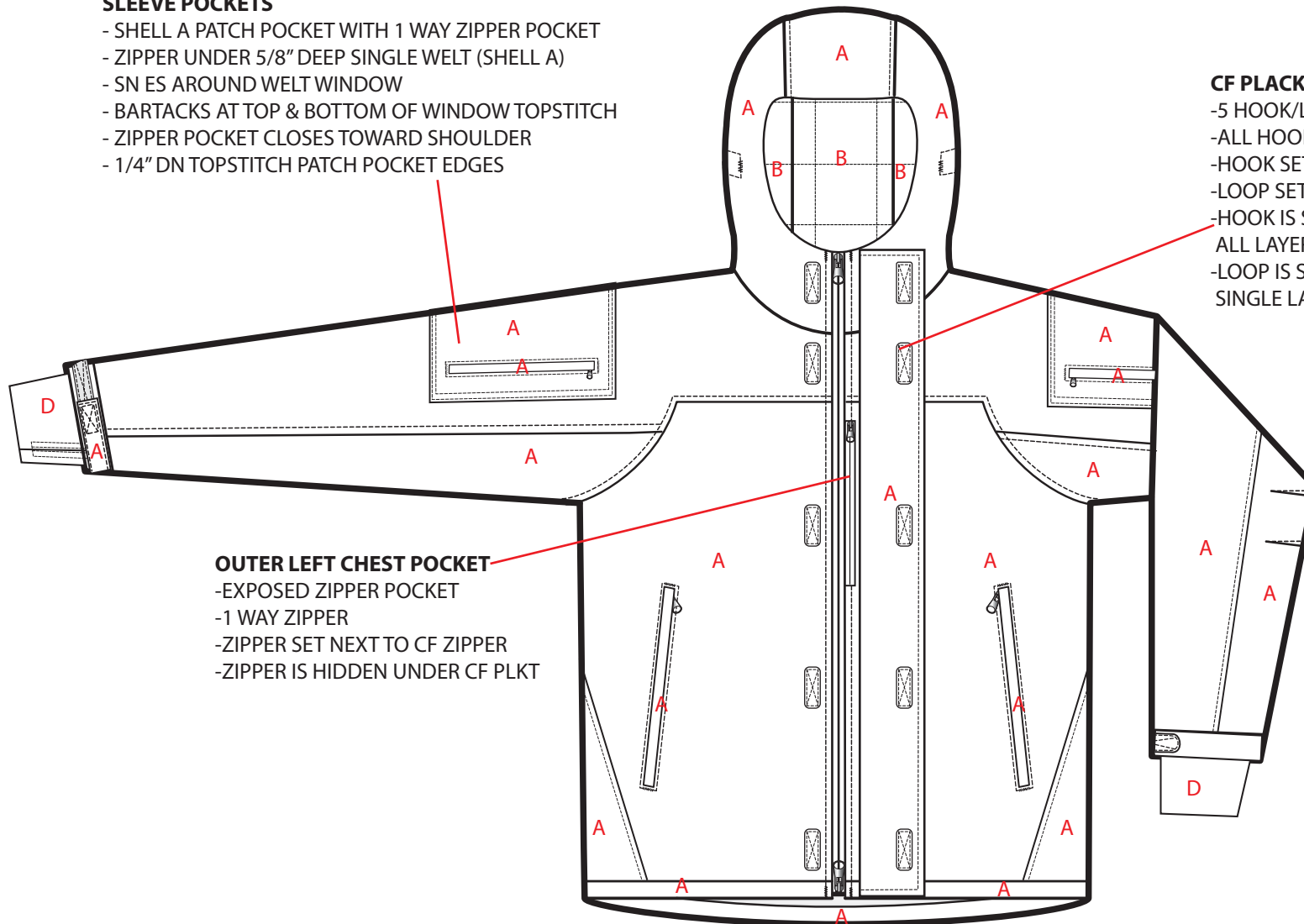
- SHELL A PATCH POCKET WITH 1 WAY ZIPPER POCKET
- ZIPPER UNDER 5/8" DEEP SINGLE WELT (SHELL A)
- SN ES AROUND WELT WINDOW
- BARTACKS AT TOP & BOTTOM OF WINDOW TOPSTITCH
- ZIPPER POCKET CLOSURES TOWARD SHOULDER
- 1/4" DN TOPSTITCH PATCH POCKET EDGES

CF PLACKET

- 5 HOOK/LOOP CLOSURE
- ALL HOOK AND LOOP ARE DIE CUT
- HOOK SET ON WEARER'S RIGHT FRONT
- LOOP SET ON CF PLACKET FACING
- HOOK IS SET WITH BOXSTITCH THRU ALL LAYERS
- LOOP IS SET WITH BOXSTITCH THRU SINGLE LAYER

OUTER LEFT CHEST POCKET

- EXPOSED ZIPPER POCKET
- 1 WAY ZIPPER
- ZIPPER SET NEXT TO CF ZIPPER
- ZIPPER IS HIDDEN UNDER CF PLKLT



BEYOND	STYLE #:	K7-M027-F19	SEASON:	FALL 2019	SAMPLE SIZE:	LARGE	CREATED DATE:	11AUG18
	STYLE NAME:	CETRA JACKET	STATUS:	TOP SPL	SIZE RANGE:	XS-4XL (R/S/L)	MODIFIED DATE:	12JUL19
KYROS MENS	DESCRIPTION:	INSULATED JKT W/ HOOD	CATEGORY:	TOPS	INSIDE FRONT BODY VIEW		PATTERN DATE:	

BEYOND. BEYOND. BEYOND.

INNER WIND FLAP

- WIND FLAP AT INSIDE
- SET TO WEARER'S RIGHT CF SEAM
- SET BC-TAPE WOVEN LOGO TAPE NEXT TO CF ZIPPER TEETH TO PREVENT SNAGGING
- LOGO READS UP

QUILT LINES

- 2 HORIZONTAL QUILT LINES THRU FRONT BODY LINING AND INSULATION
- BOTTOM QUILT LINE UNDER NEATH CARGO PKT

INNER CUFF

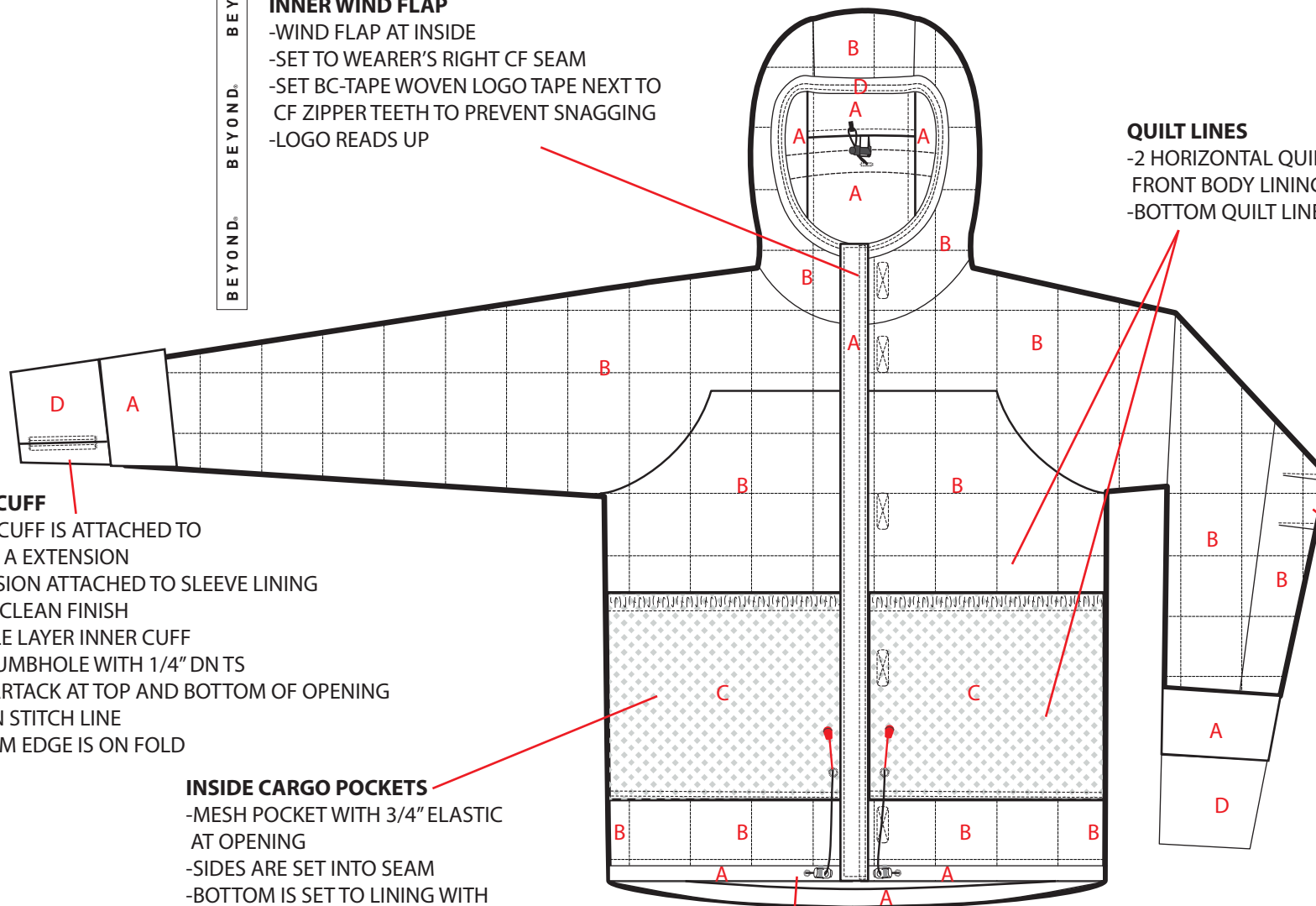
- INNER CUFF IS ATTACHED TO SHELL A EXTENSION
- EXTENSION ATTACHED TO SLEEVE LINING
- NO TS, CLEAN FINISH
- DOUBLE LAYER INNER CUFF
- 3" L THUMBHOLE WITH 1/4" DN TS
- 3/8" BARTACK AT TOP AND BOTTOM OF OPENING ON STITCH LINE
- BOTTOM EDGE IS ON FOLD

INSIDE CARGO POCKETS

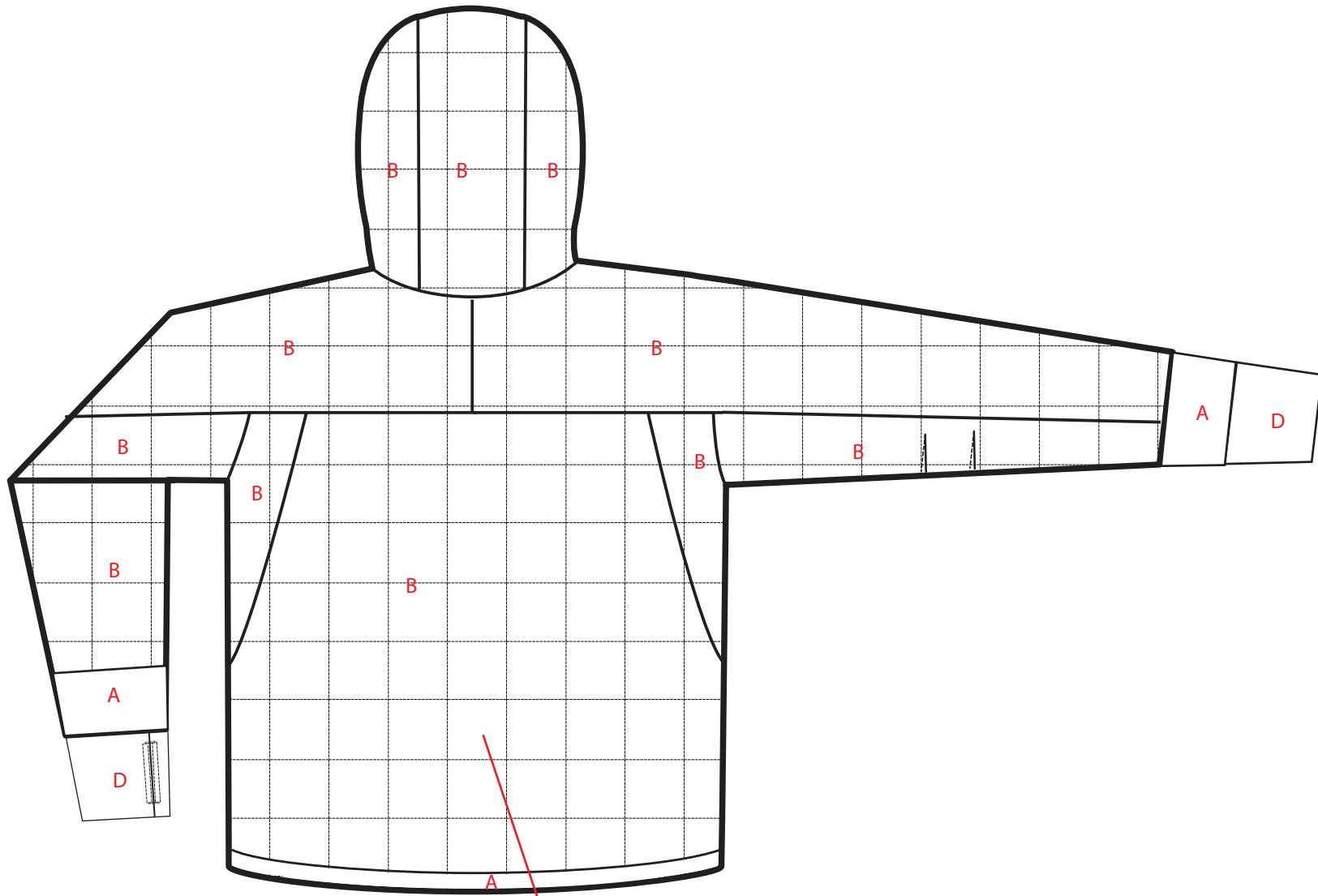
- MESH POCKET WITH 3/4" ELASTIC AT OPENING
- SIDES ARE SET INTO SEAM
- BOTTOM IS SET TO LINING WITH 1/4" DN TS

HEM DRAW
-SEE DETAIL SKETCH

2 DARTS ON SLV LINING
-SN TS
-DARTS UP



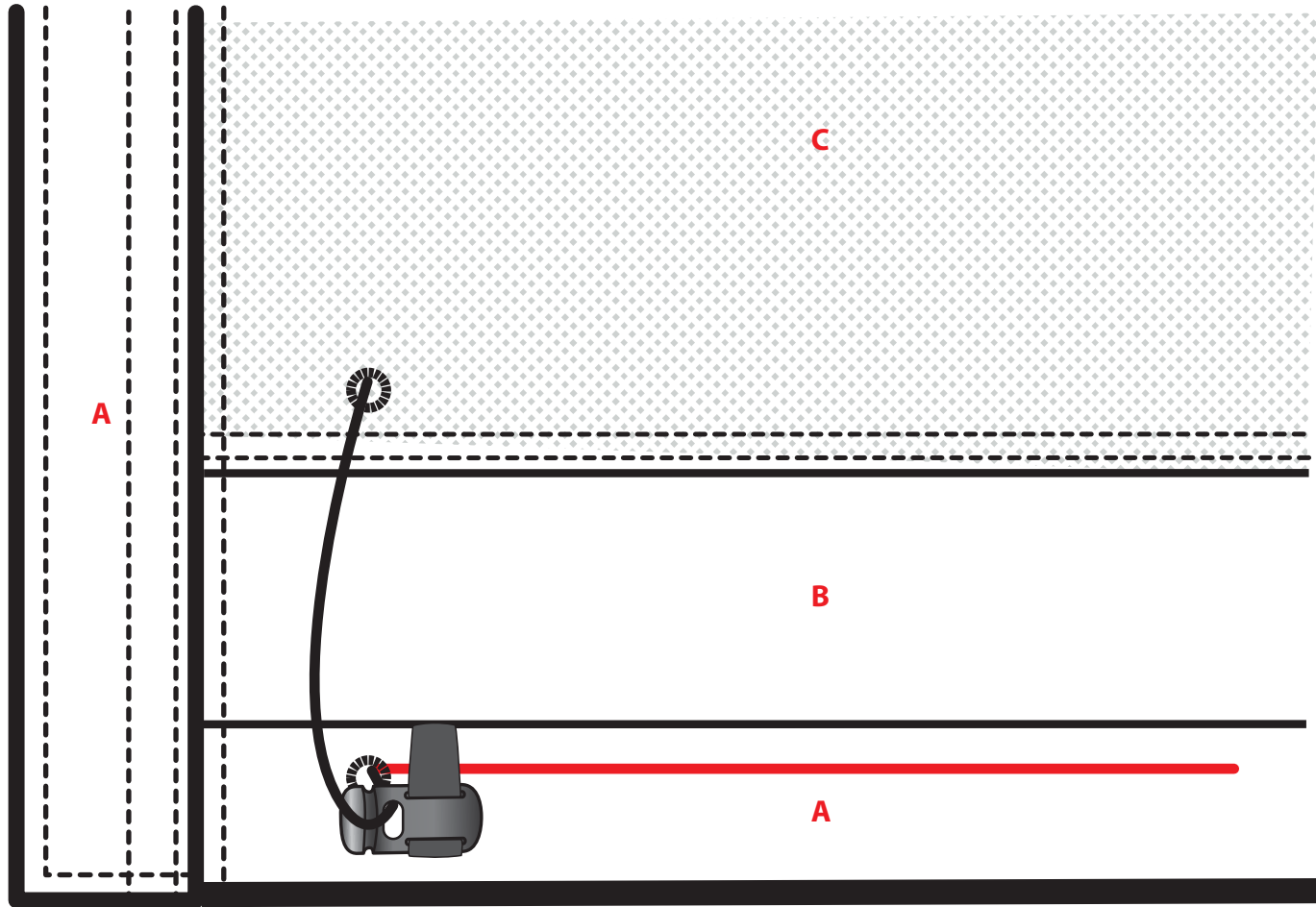
BEYOND	STYLE #:	K7-M027-F19	SEASON:	FALL 2019	SAMPLE SIZE:	LARGE	CREATED DATE:	11AUG18
	STYLE NAME:	CETRA JACKET	STATUS:	TOP SPL	SIZE RANGE:	XS-4XL (R/S/L)	MODIFIED DATE:	12JUL19
KYROS MENS	DESCRIPTION:	INSULATED JKT W/ HOOD	CATEGORY:	TOPS	INSIDE BACK BODY VIEW		PATTERN DATE:	



QUILT LINES

-3X3" BOX QUILT ON ALL LINING PIECES (HOOD, FRONT BODY, BACK BODY, SLEEVES, HAND PKT LINING)

BEYOND	STYLE #:	K7-M027-F19	SEASON:	FALL 2019	SAMPLE SIZE:	LARGE	CREATED DATE:	11AUG18	
	STYLE NAME:	CETRA JACKET	STATUS:	TOP SPL	SIZE RANGE:	XS-4XL (R/S/L)	MODIFIED DATE:	12JUL19	
KYROS MENS	DESCRIPTION:	INSULATED JKT W/ HOOD	CATEGORY:	TOPS	HEM DRAWCORD DETAIL		PATTERN DATE:		



FRONT HEM DRAWCORD

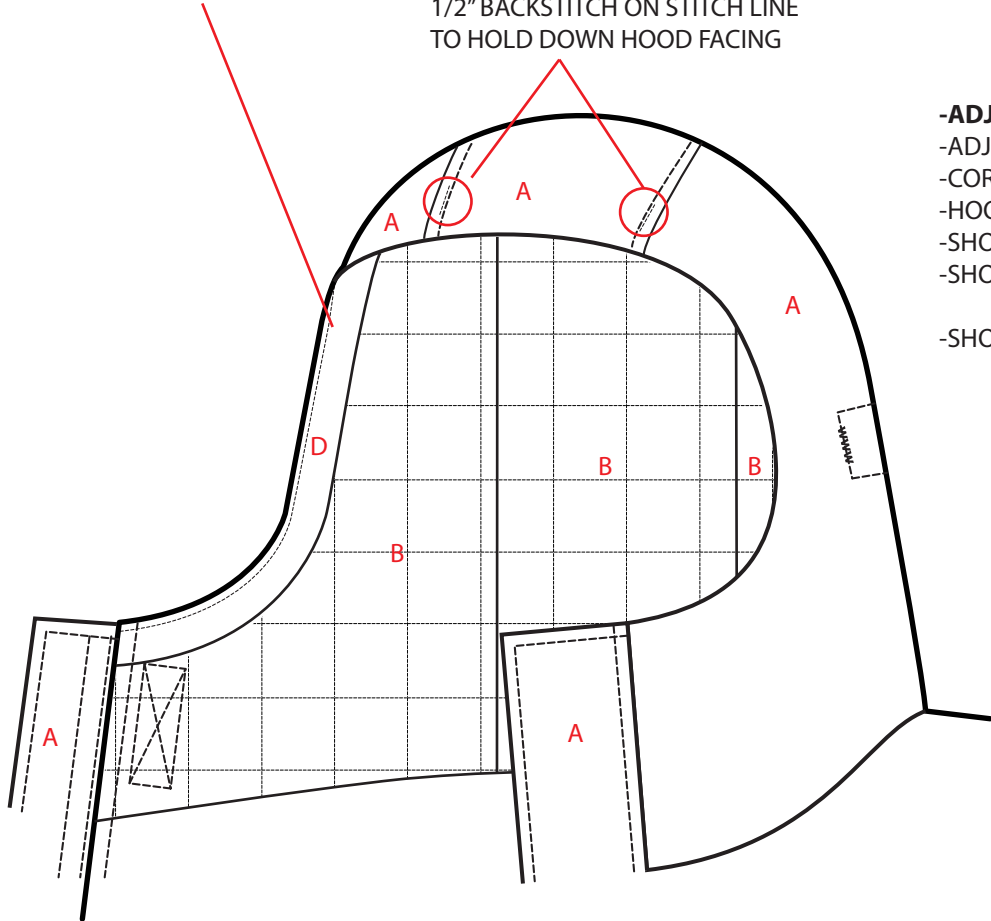
- ADJUSTABLE SHOCKCORD DRAW THRU HEM TUNNEL
- CORDLOCK PLACEMENT AT FRONT HEM BAND
- CORDLOCKS ARE TETHERED WITH GROSGRAIN INTO TOP OF HEM BAND
- SHOCKCORD EXITS SEWN EYELETS INTO CORDLOCK AND BACK INTO SEWN EYELET AT BOTTOM OF CARGO POCKET
- CORD ENDS ARE INSIDE OF CARGO POCKET

BEYOND	STYLE #:	K7-M027-F19	SEASON:	FALL 2019	SAMPLE SIZE:	LARGE	CREATED DATE:	11AUG18
	STYLE NAME:	CETRA JACKET	STATUS:	TOP SPL	SIZE RANGE:	XS-4XL (R/S/L)	MODIFIED DATE:	12JUL19
KYROS MENS	DESCRIPTION:	INSULATED JKT W/ HOOD	CATEGORY:	TOPS	HOOD DETAIL		PATTERN DATE:	

FRONT HOOD

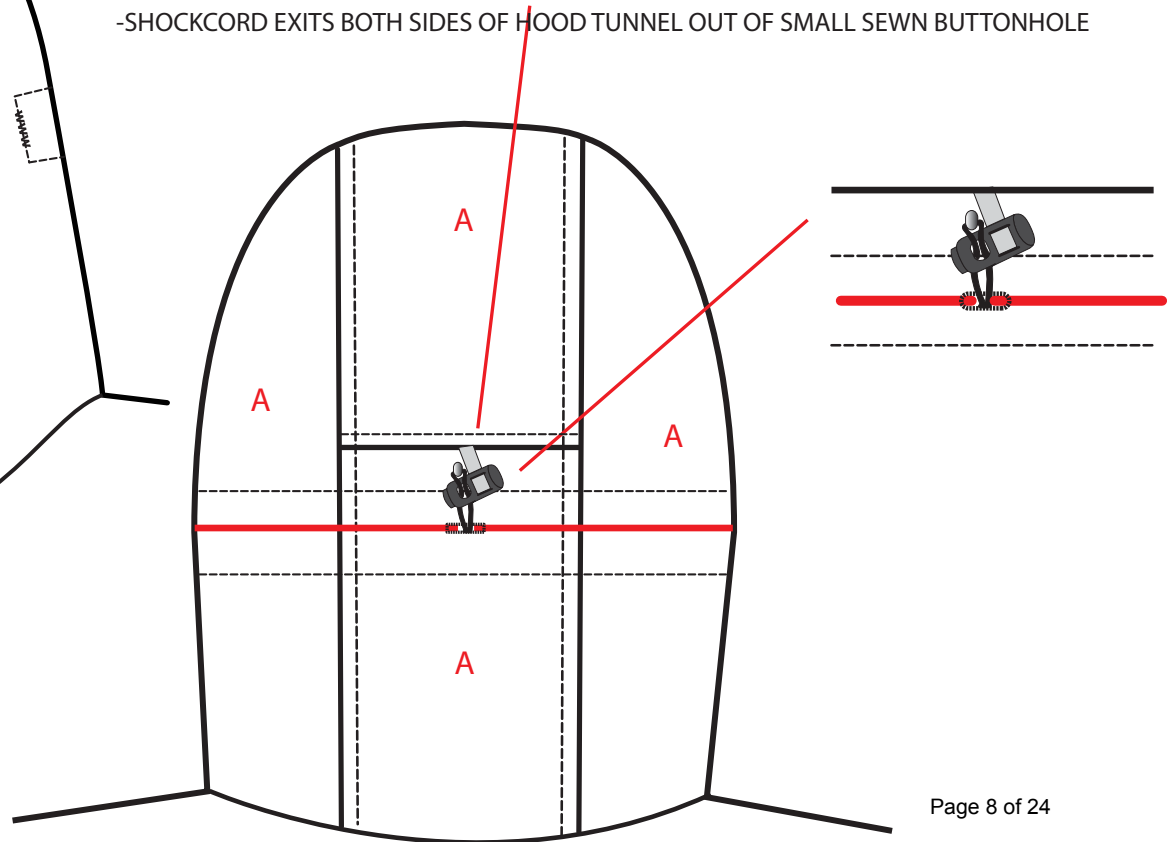
- HOOD OPENING HAS STRETCHED IN FACING
- FACING IS ATTACHED TO LINING AND SLIGHT GATHERS AROUND FACE ON LINING LAYER
- SN UNDERSTITCH ON HEM FACING

1/2" BACKSTITCH ON STITCH LINE
TO HOLD DOWN HOOD FACING



-ADJUSTABLE CORDLOCK AT CB HOOD

- ADJUSTS AT HOOD CROWN
- CORDLOCK IS TETHER WITH GROSGRAIN LOOP TO SEAM
- HOOD TUNNEL IS SET TO OUTER HOOD WITH SN TS
- SHOCKCORD TUNNEL ENDS AT SIDES OF HOOD
- SHOCKCORD IS BACKTACKED TIMES TO 1.5"L GROSGRAIN STRIP
- GROSGRAIN STRIP IS BARTACKED AT END OF BACK HOOD TUNNEL
- SHOCKCORD EXITS BOTH SIDES OF HOOD TUNNEL OUT OF SMALL SEWN BUTTONHOLE



BEYOND	STYLE #:	K7-M027-F19	SEASON:	FALL 2019	SAMPLE SIZE:	LARGE	CREATED DATE:	11AUG18
	STYLE NAME:	CETRA JACKET	STATUS:	TOP SPL	SIZE RANGE:	XS-4XL (R/S/L)	MODIFIED DATE:	12JUL19
KYROS MENS	DESCRIPTION:	INSULATED JKT W/ HOOD	CATEGORY:	TOPS	ZIPPER PULL ATTACHMENT		PATTERN DATE:	



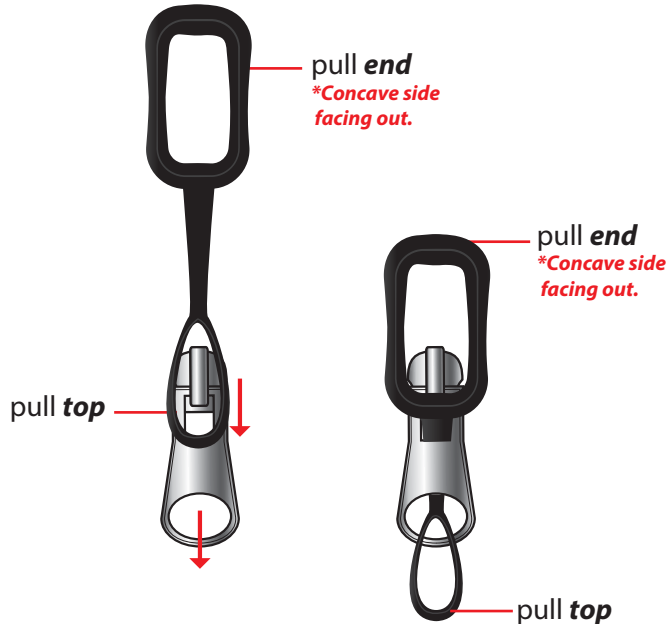
TOP VIEW

Zipper pull finished with Concave side down



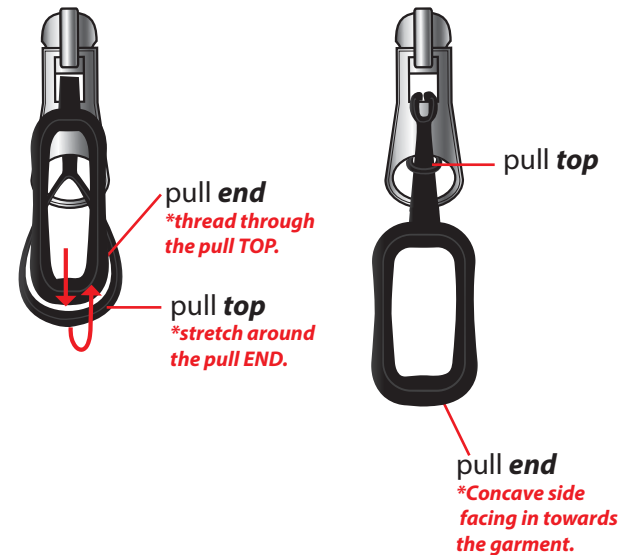
SIDE VIEW

Zipper pull finished with Concave side down



STEP 1:

*Thread zipper pull **top** through the top hole in zipper slider and then out the lower hole of zipper slider.

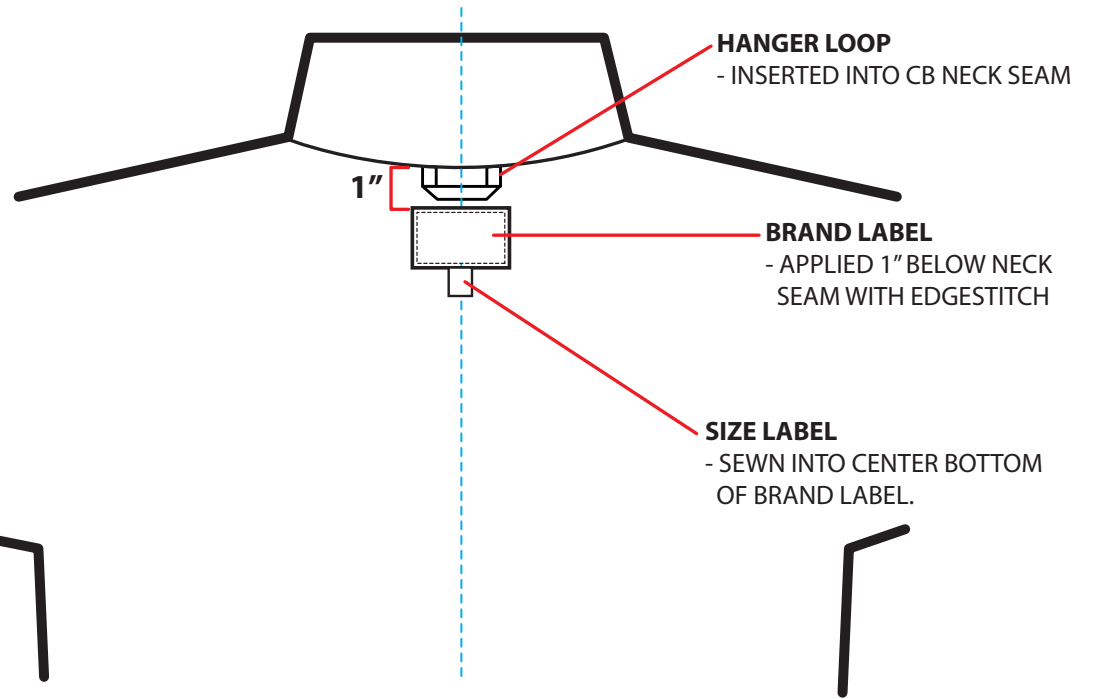


STEP 2:

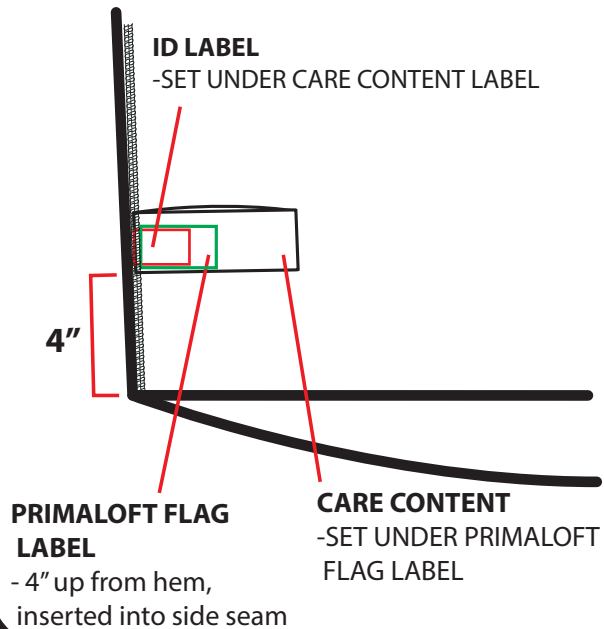
*Bend zipper pull **end** down and over the bottom of the slider.
 *Then thread zipper pull **end** through the zipper pull **top**.
 *The zipper pull **top** should close around the upper part of the slider and hold the zipper pull in place.
 *CONCAVE side of zipper pull **end** should face towards the garment when finished.

BEYOND	STYLE #:	K7-M027-F19	SEASON:	FALL 2019	SAMPLE SIZE:	LARGE	CREATED DATE:	11AUG18
	STYLE NAME:	CETRA JACKET	STATUS:	TOP SPL	SIZE RANGE:	XS-4XL (R/S/L)	MODIFIED DATE:	12JUL19
KYROS MENS	DESCRIPTION:	INSULATED JKT W/ HOOD	CATEGORY:	TOPS	LABEL PLACEMENT VIEW		PATTERN DATE:	

INSIDE CB



WEARER'S INSIDE LEFT FRONT

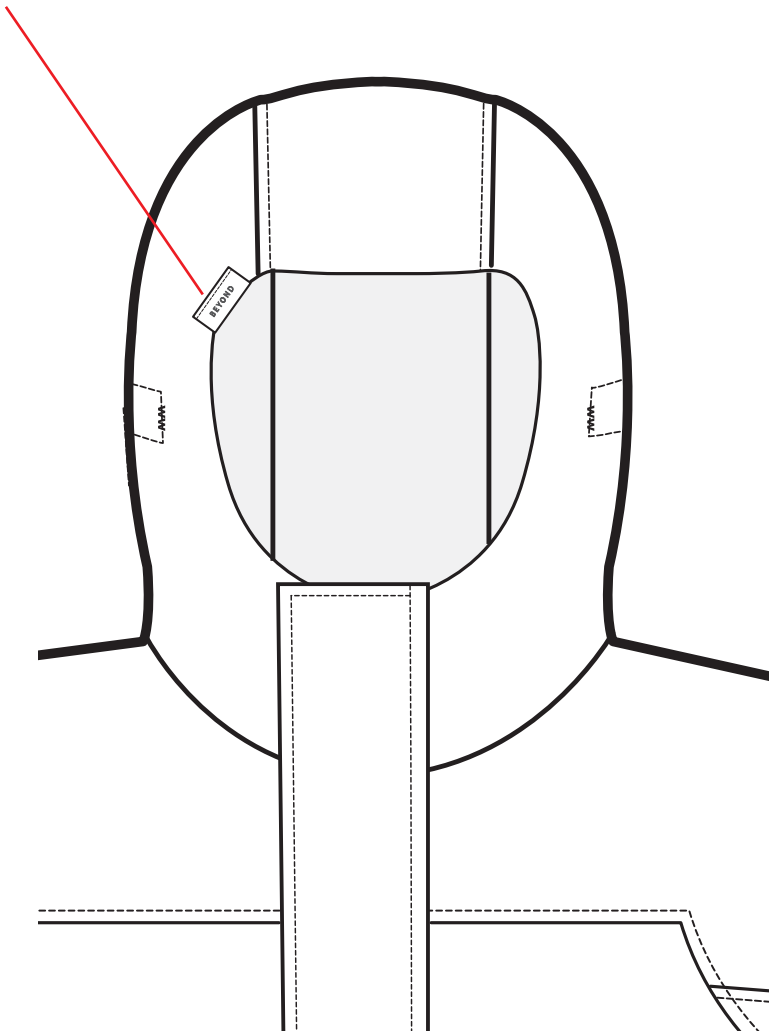


BEYOND	STYLE #:	K7-M027-F19	SEASON:	FALL 2019	SAMPLE SIZE:	LARGE	CREATED DATE:	11AUG18
	STYLE NAME:	CETRA JACKET	STATUS:	TOP SPL	SIZE RANGE:	XS-4XL (R/S/L)	MODIFIED DATE:	
KYROS MENS	DESCRIPTION:	INSULATED JKT W/ HOOD	CATEGORY:	TOPS	OUTSIDE LABEL PLCMT		PATTERN DATE:	

LABEL DIMENSIONS ARE FOR SIZE LARGE ONLY.
PLEASE GRADE ALL OTHER SIZES ACCORDINGLY
SO THAT LABEL IS AT SAME SPOT ON GARMENT.

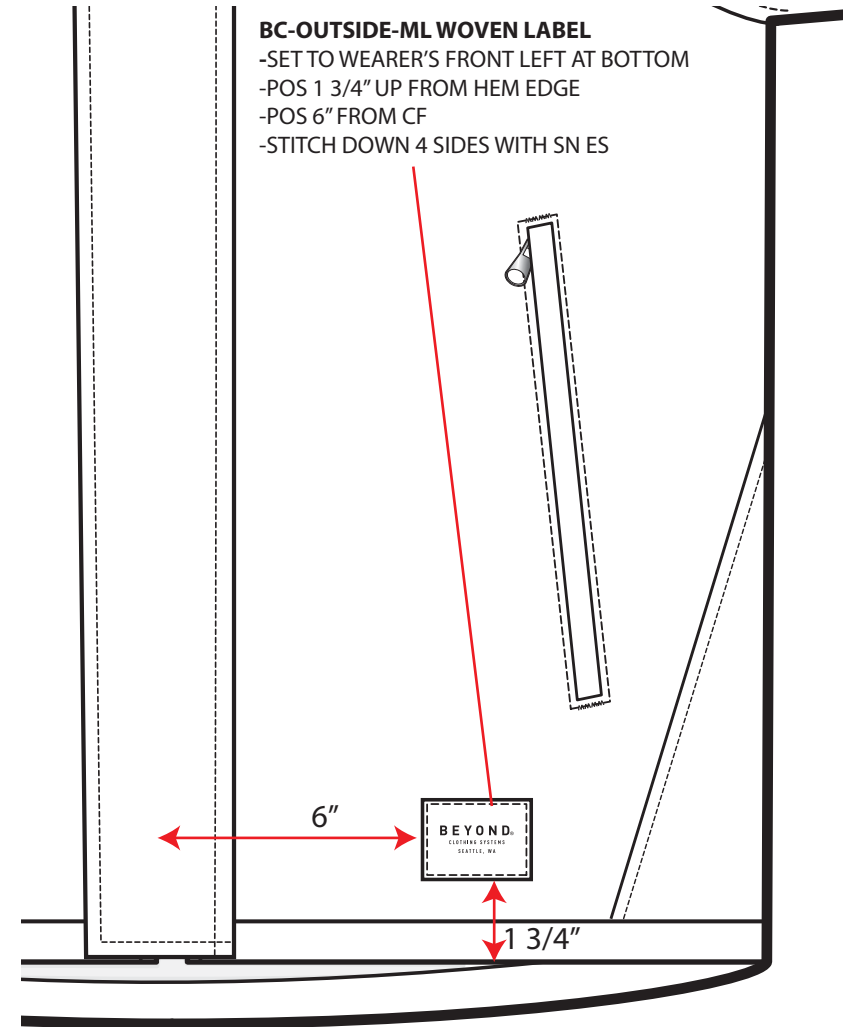
BCLIP SMALL LABEL

- WRAPS OVER HOOD FACING EDGE
- SN ES ACROSS TOP TO SECURE, THRU ALL LAYERS
- POS ON WEARER'S RIGHT SIDE HOOD, 1/4" FROM HOOD SEAM



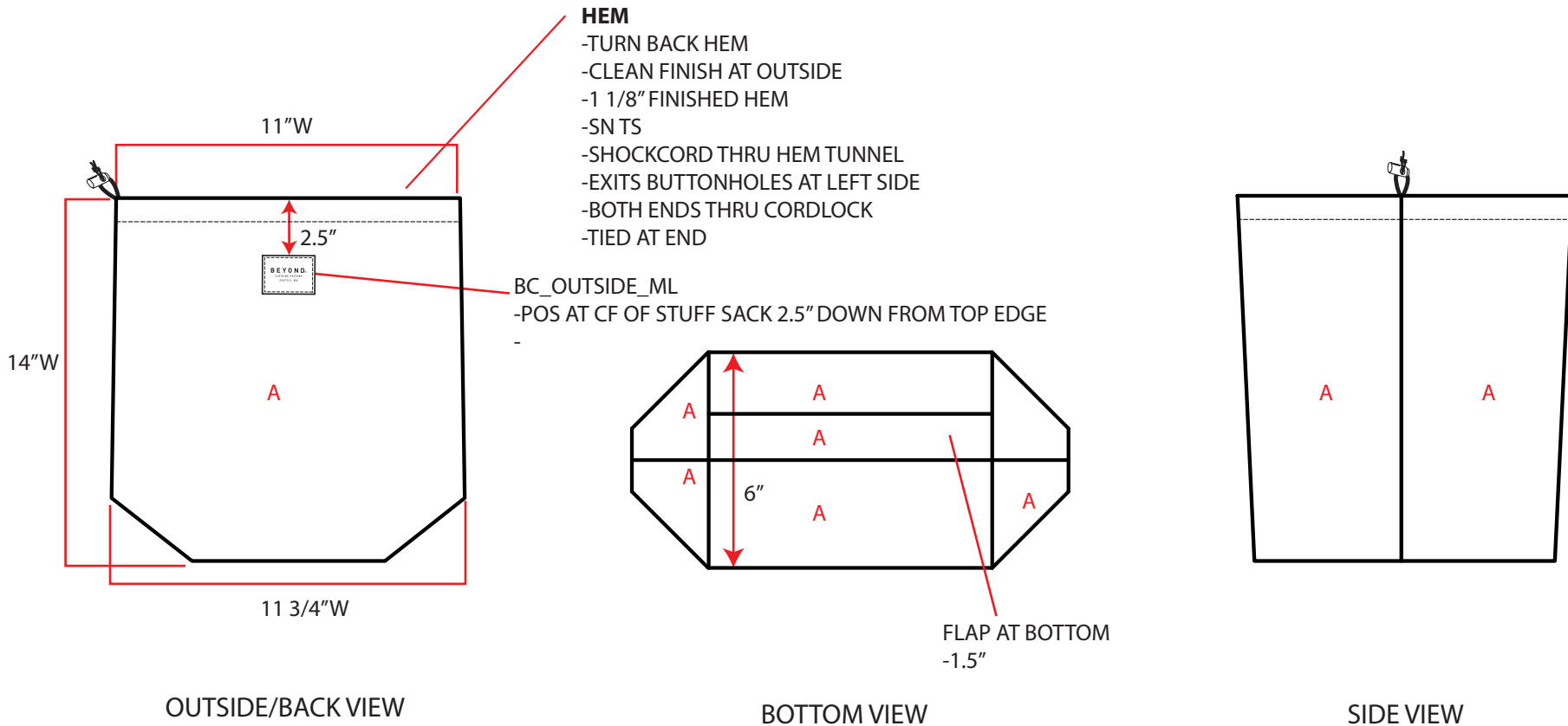
BC-OUTSIDE-ML WOVEN LABEL

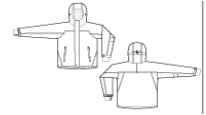
- SET TO WEARER'S FRONT LEFT AT BOTTOM
- POS 1 3/4" UP FROM HEM EDGE
- POS 6" FROM CF
- STITCH DOWN 4 SIDES WITH SN ES



BEYOND	STYLE #:	K7-M027-F19	SEASON:	FALL 2019	SAMPLE SIZE:	LARGE	CREATED DATE:	11AUG18
	STYLE NAME:	CETRA JACKET	STATUS:	TOP SPL	SIZE RANGE:	XS-4XL (R/S/L)	MODIFIED DATE:	
KYROS MENS	DESCRIPTION:	INSULATED JKT W/ HOOD	CATEGORY:	TOPS	STUFF SACK DETAIL		PATTERN DATE:	

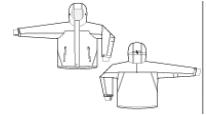
STUFF SACK DETAIL



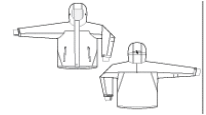


BEYOND	STYLE #:	K7-M027-F19	SEASON:	FALL 2019	SAMPLE SIZE:	LARGE	CREATED DATE:	23AUG18
	STYLE NAME:	CETRA JACKET	STATUS:	TOP SPL	SIZE RANGE:	XS-4XL (REG/SHORT/LONG)	MODIFIED DATE:	5/15/19
KYROS MENS	STYLE DESCRIPTION:	INSULATED JACKET W/ HOOD	CATERGORY	TOPS	PATTERN DATE:			

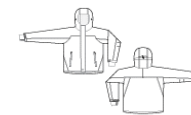
					SALESMEN SAMPLE		X			
#	ITEM DESCRIPTION	VENDOR	VENDOR DESCRIPTION	PLACEMENT/ COMMENTS	QTY	BLACK	MANATEE GREY	NAVY	RESCUE RED	WOODLAND
1	SHELL A	CAROLTEX	NJ06WLFF 100% Nylon 70D *Small size* Ripstop + C6 DWR	RIGHT/LEFT FRONT, BACK LOWER, R/L SLV, FRT/BK U SLV, HEM BAND, HOOD, STORM FLAP, STORM FLAP FACING, SLV CUFF, INNER SLV EXT, SLV CUFF TAB, WELT, STOW SACK		BLACK	MANATEE GREY	NAVY	RESCUE RED	X
2	SHELL A	CAROLTEX	NK06P3LF 100% Nylon 70D *Small size* Ripstop + Print + C6 DWR	RIGHT/LEFT FRONT, BACK LOWER, R/L SLV, FRT/BK U SLV, HEM BAND, HOOD, STORM FLAP, STORM FLAP FACING, SLV CUFF, INNER SLV EXT, SLV CUFF TAB, WELT, STOW SACK		X	X	X	X	WOODLAND
3	SHELL B	CAROLTEX	NK02LP NYLON FULL DULL 100%, DOBBY, 62GSM, 57" CW	FRONT LINING, BACK LWR LINING, SLV LIN, BK U SLV LIN, HOOD LINING, FRT KNUCKLE PKT BAG, FRT PALM PKT BAG, SLV CUFF LINING, HOOD TUNNEL, LEFT FRONT CHEST PKT BAG		BLACK	MANATEE GREY	NAVY	RESCUE RED	BLACK
4	SHELL C	MEN CHUEN	PTM-230-2B 100%POLYESTER MESH 100GSM, 60" CW, WICKING AND ANTI-MICROBIAL	INNER CARGO PKTS		BLACK	MANATEE GREY	NAVY	RESCUE RED	BLACK
5	SHELL D	DELICACY	C32521-R5-C349 NYLON/SPANDEX 86/14, PLAIN, 145G/SM, N70D/40Dop*N70D/40Dop, 136X106, DWR (C6)	CUFF, HOOD FACING		BLACK	MANATEE GREY	NAVY	RESCUE RED	BLACK
6	INSULATION	PRIMALOFT	GOLD INSULATION ECO Item #I-1001 2.4oz sq yd	FRONT, BACK, SLEEVE, BK U SLV, HOOD, FRT KNUCKLE BAG, SLV CUFF		WHITE	WHITE	WHITE	WHITE	WHITE
7	PELLON	VILENE	A0203 PELLON	STORM FLAP FACING, INNER WIND FLAP, WELT, SLV CUFF, CUFF TAB		CHARCOAL	CHARCOAL	CHARCOAL	CHARCOAL	CHARCOAL
ZIPPERS										
8	ZIPPER 1	YKK	#5 REVERSE COIL, 2 WAY SEPARATING ZIPPER, DALH	CF	1.00	580	076	960	519	580
9	ZIPPER 2	YKK	#5 REVERSE COIL, 1 WAY CLOSED BOTH ENDS, DALH	OUTER LEFT CHEST PKT	1.00	580	076	960	519	580
10	ZIPPER 3	YKK	#5 REVERSE COIL 1 WAY CLOSED BOTH ENDS, DALH	HAND PKTS	2.00	580	076	960	519	580
11	ZIPPER 4	YKK	#5 REVERSE COIL 1 WAY CLOSED BOTH ENDS, DALH	SLEEVE POCKETS	2.00	580	076	960	519	580
TRIMS										



BEYOND		STYLE #:	K7-M027-F19	SEASON:	FALL 2019	SAMPLE SIZE:	LARGE	CREATED DATE:	23AUG18		
		STYLE NAME:	CETRA JACKET	STATUS:	TOP SPL	SIZE RANGE:	XS-4XL (REG/SHORT/LONG)	MODIFIED DATE:	5/15/19		
KYROS MENS		STYLE DESCRIPTION:	INSULATED JACKET W/ HOOD	CATERGORY	TOPS	PATTERN DATE:					
						SALESMEN SAMPLE		X			
#	ITEM DESCRIPTION	VENDOR	VENDOR DESCRIPTION	PLACEMENT/ COMMENTS	QTY	BLACK	MANATEE GREY	NAVY	RESCUE RED	WOODLAND	
12	ZIPPER PULL	PRYM FASHION ASIA PACIFIC & CO	CT99P58XX2762 (LARGE)- SQUARE DONUT ZIPPER PULL - LARGE	CF, OUT CHEST, HAND POCKETS, SLEEVE POCKETS	6.00	BLACK	MANATEE GREY	NAVY	BLACK	BLACK	
13	HOOK 1	VIETNAM PAIHO LTD	3HA1/3HB1 SMALL ROUND DIE CUT VELCRO HOOK 3/4 X2"	WEARER'S RIGHT CF	5.00	BLACK	#0836	#0439	BLACK	BLACK	
14	LOOP 1	VIETNAM PAIHO LTD	3HA1/3HB1 SMALL ROUND DIE CUT VELCRO LOOP 3/4 X2"	CF PLACKET FACING	5.00	BLACK	#0836	#0439	BLACK	BLACK	
15	HOOK 2	VIETNAM PAIHO LTD	3HA1/3HB1SMALL ROUND DIE CUT VELCRO HOOK 1 X2"	CUFF TABS	2.00	BLACK	#0836	#0439	BLACK	BLACK	
16	LOOP 2	VIETNAM PAIHO LTD	3HA1/3HB1 ROUND RECTANGLE DIE CUT VELCRO LOOP 1X5"	CUFFS	2.00	BLACK	#0836	#0439	BLACK	BLACK	
17	SHOCKCORD 1	PAIHO VIETNAM	82TRU0049 3MM POLYESTER + RUBBER BUNGEE	BACK HOOD	1.00	BLACK	MANATEE GREY	NAVY	BLACK	BLACK	
18	SHOCKCORD 2	PAIHO VIETNAM	82TRU0049 3MM POLYESTER + RUBBER BUNGEE	HEM	1.00	BLACK	MANATEE GREY	NAVY	BLACK	BLACK	
19	SHOCKCORD 3	PAIHO VIETNAM	82TRU0049 3MM POLYESTER + RUBBER BUNGEE	STOW SACK OPENING	1.00	BLACK	MANATEE GREY	NAVY	BLACK	BLACK	
20	CORDLOCK	PRYM FASHION ASIA PACIFIC & CO	EB9914SBLK2762 NYLON CORDLOCK 14.5MM X 24MM X 10MM	CB HOOD, HEM, STOW SACK	4.00	BLACK	MANATEE GREY	NAVY	BLACK	BLACK	
21	CANNON CLIP	PRYM FASHION ASIA PACIFIC & CO	A127 CORD END	CB HOOD	1.00	BLACK	MANATEE GREY	NAVY	BLACK	BLACK	
22	CORD END	PRYM FASHION ASIA PACIFIC & CO	CT9913AXXX2762 ZIP CLIP (MORE SECURE VERSION)	HEM	2.00	BLACK	MANATEE GREY	NAVY	BLACK	BLACK	
23	LOGO TAPE	CHECKPOINT	BC-TAPE (BLACK/GREY)- BEYOND WOVEN TAPE BLACK/ PANTONE 16-3908 TCS Grey, 13MM	CF INNER WIND FLAP	1.00	BLACK/ GREY	BLACK/ GREY	BLACK/ GREY	BLACK/ GREY	BLACK/ GREY	
24	GROSGRAIN 2	PAIHO VIETNAM	WEB-0003 3/8" GROSGRAIN RIBBON/ 10MM	SIDE HOOD SHOCKCORD TETHER	2.00	#PV603	#PV570	#PV279	#PV603	#PV603	
25	GROSGRAIN 3	VIETNAM PAIHO LTD	UTT0106 6MM 100% POLYESTER WEBBING	HEM CORDLOCK TETHER	2.00	#PV603	#PV570	#PV279	#PV603	#PV603	
26	GROSGRAIN 4	VIETNAM PAIHO LTD	UTT0106 6MM 100% POLYESTER WEBBING	CB HOOD CORDLOCK TETHER	1.00	#PV603	#PV570	#PV279	#PV603	#PV603	
27	ELASTIC	PAIHO VIETNAM	VTT-048 3/4" POLYESTER + RUBBER ELASTIC	INSIDE CARGO PKT HEM	2.00	BLACK	BLACK	BLACK	BLACK	BLACK	
	THREAD										



BEYOND		STYLE #:	K7-M027-F19	SEASON:	FALL 2019	SAMPLE SIZE:	LARGE	CREATED DATE:	23AUG18	
		STYLE NAME:	CETRA JACKET	STATUS:	TOP SPL	SIZE RANGE:	XS-4XL (REG/SHORT/LONG)	MODIFIED DATE:	5/15/19	
KYROS MENS		STYLE DESCRIPTION:	INSULATED JACKET W/ HOOD	CATERGORY	TOPS	PATTERN DATE:				
						SALESMEN SAMPLE		X		
#	ITEM DESCRIPTION	VENDOR	VENDOR DESCRIPTION	PLACEMENT/ COMMENTS	QTY	BLACK	MANATEE GREY	NAVY	RESCUE RED	WOODLAND
28	THREAD 1	ASTRA	TEX 40 100% POLYESTER, STAPLE SPUN POLY THREAD	ALL TOPSTITCHING, BARTACKS, OVERLOCK, STOW SACK		C9760 CELESTIAL BLACK	C9687 TAILOR GREY	C7996	C3885 PAPRIKA RED	C5725 BISKRA
29	THREAD 2	ASTRA	TEX 40 100% POLYESTER, STAPLE SPUN POLY THREAD	TS FOR GROSGRAIN ON INNER WIND FLAP AND HOOK/LOOP		C9760 CELESTIAL BLACK	C9687 TAILOR GREY	C7996	C9760 CELESTIAL BLACK	C9760 CELESTIAL BLACK
30	THREAD 3	ASTRA	TEX 40 100% POLYESTER, STAPLE SPUN POLY THREAD	MAIN WOVEN LABEL FACE		C9760 CELESTIAL BLACK	C9760 CELESTIAL BLACK	C9760 CELESTIAL BLACK	C9760 CELESTIAL BLACK	C9760 CELESTIAL BLACK
LABELS / MISC.										
31	HANGER LOOP	CHECKPOINT	BCML Beyond Clothing Mitre Fold Label (Black (Ground) / Cool Grey 9U (Text))	SEE LABEL PLACEMENT SKETCH	1.00	BLACK & GREY	BLACK & GREY	BLACK & GREY	BLACK & GREY	BLACK & GREY
32	INTERIOR BRANDING LABEL	CHECKPOINT	BCCL Beyond Clothing Endfold Label (Black (Ground) / Cool Grey 9U (Text))	SEE LABEL PLACEMENT SKETCH- GARMENT AND STUFF SACK	2.00	BLACK & GREY	BLACK & GREY	BLACK & GREY	BLACK & GREY	BLACK & GREY
33	SIZE LABEL:	CHECKPOINT	BCSL Beyond Clothing Size Label (Black (Ground) / Cool Grey 9U (Text))	SEE LABEL PLACEMENT SKETCH	1.00	BLACK & GREY	BLACK & GREY	BLACK & GREY	BLACK & GREY	BLACK & GREY
34	CLIP LABEL	CHECKPOINT	BCLIP-SMALL (Black/ Black) Beyond CLIP Label - SMALL (Black (Ground) / Black(Text))	SEE LABEL PLACEMENT SKETCH	1.00	BLACK/BLACK	BLACK/BLACK	BLACK/BLACK	BLACK/BLACK	BLACK/BLACK
35	SMALL WOVEN LABEL	CHECKPOINT	BC-OUTSIDE-ML	SEE LABEL PLACEMENT SKETCH	1.00	BLACK/GREY	BLACK/GREY	BLACK/GREY	BLACK/GREY	BLACK/GREY
36	CONTENT LABEL	CHECKPOINT	BCCL CONTENT LABEL	SEE LABEL PLACEMENT SKETCH	1.00	WHITE WITH BLACK LETTERING	WHITE WITH BLACK LETTERING	WHITE WITH BLACK LETTERING	WHITE WITH BLACK LETTERING	WHITE WITH BLACK LETTERING
37	CARE LABEL	CHECKPOINT	BCCL - CARE 1	SEE LABEL PLACEMENT SKETCH	2.00	WHITE WITH BLACK LETTERING	WHITE WITH BLACK LETTERING	WHITE WITH BLACK LETTERING	WHITE WITH BLACK LETTERING	WHITE WITH BLACK LETTERING
38	ID LABEL	FACTORY SOURCED	TBD PRINTED PO ID LABEL	SEE LABEL PLACEMENT SKETCH	1.00	WHITE WITH BLACK LETTERING	WHITE WITH BLACK LETTERING	WHITE WITH BLACK LETTERING	WHITE WITH BLACK LETTERING	WHITE WITH BLACK LETTERING
39	VENDOR FLAG LABEL	PRIMALOFT	#L-1001 PRIMALOFT GOLD SERIES FLAG LABEL	SEE LABEL PLACEMENT SKETCH	1.00					
HANGTAGS / PACKAGING										
40	BEYOND HANGTAG	CHECKPOINT	BCHTS-KYROS HT Beyond Clothing Hangtag + Black Seal Lock	ON PLASTIC QUICKTACH LOOP LOCKS THROUGH INSIDE CB NK LOOP	1.00	BLACK & GREY	BLACK & GREY	BLACK & GREY	BLACK & GREY	BLACK & GREY
41	HANGTAG STICKER	SYSTEM PRINTING SERVICES CO. LTD	BYS1 2X2" HANGTAG STICKER	CENTER BACK, BOTTOM OF BEYOND HANGTAG	1.00	GREY W/ BLACK TEXT	GREY W/ BLACK TEXT	GREY W/ BLACK TEXT	GREY W/ BLACK TEXT	GREY W/ BLACK TEXT
42	VENDOR HANGTAG	PRIMALOFT	#H-1001 PRIMALOFT GOLD SERIES HANGTAG	ATTACH ON PLASTIC QUICKTACH BEHIND BCHTS-KYROS HT	1.00					
43	POLYBAG STICKER	SYSTEM PRINTING SERVICES CO. LTD	BYS2 2X42" POLYBAG STICKER	3" IN AND 3" UP FROM RIGHT BOTTOM OF POLY BAG AFTER GARMENT IS PACKED IN POLYBAG	1.00	WHITE WITH BLACK LETTERING	WHITE WITH BLACK LETTERING	WHITE WITH BLACK LETTERING	WHITE WITH BLACK LETTERING	WHITE WITH BLACK LETTERING
44	POLYBAG	FACTORY SOURCED	POLYBAG	PLACE GARMENT + STUFF SACK (FLAT) INSIDE BAG, CLOSE WITH 2 PIECES OF TAPE		CLEAR	CLEAR	CLEAR	CLEAR	CLEAR



BEYOND	STYLE #:	K7-M027-F19	SEASON:	FALL 2019	SAMPLE SIZE:	LARGE	CREATED DATE:	23AUG18
	STYLE NAME:	CETRA JACKET	STATUS:	TOP SPL	SIZE RANGE:	XS-4XL (REG/SHORT/LONG)	MODIFIED DATE:	5/15/19
KYROS MENS	STYLE DESCRIPTION:	INSULATED JACKET W/ HOOD	CATERGORY	TOPS	PATTERN DATE:			

					SALESMEN SAMPLE		X			
#	ITEM DESCRIPTION	VENDOR	VENDOR DESCRIPTION	PLACEMENT/ COMMENTS	QTY	BLACK	MANATEE GREY	NAVY	RESCUE RED	WOODLAND
45	SHIPPING CARTON	FACTORY SOURCED	SHIPPING CARTON	N/A		N/A	N/A	N/A	N/A	N/A
46	BOX STICKER	SYSTEM PRINTING SERVICES CO. LTD	BYS3 5-5/8" X 8-1/2" BOX STICKER	PLACED 2" IN AND 2" DOWN FROM RIGHT TOP CORNER OF BOX ON LONG AND SHORT SIDE OF CARTON	2.00	WHITE WITH BLACK LETTERING	WHITE WITH BLACK LETTERING	WHITE WITH BLACK LETTERING	WHITE WITH BLACK LETTERING	WHITE WITH BLACK LETTERING

FINISHED GRADED GARMENT MEASUREMENTS																											
REFER TO GARMENT MEASURING GUIDE		REGULAR																								TOL	
		XS			S			M			L			XL			2XL			3XL			4XL				
		SPEC	FTY	QC	SPEC	FTY	QC	SPEC	FTY	QC	BEYOND	SPEC	FTY	QC	SPEC	FTY	QC	SPEC	FTY	QC	SPEC	FTY	QC	SPEC	FTY		QC
1	CF LENGTH	CF NECK SEAM TO HEM EDGE	22			23			24			25			26			27			27			27			1/2
2	ACROSS CHEST (1/2)	1" BELOW ARMHOLE SEAM- STRAIGHT ACROSS-EDGE TO EDGE	22 1/4			23 1/4			24 3/4			26 1/4			27 3/4			29 1/4			31 1/4			33 1/4			1/2
PLCMT	WAIST PLACEMENT: DOWN FROM CB NECK SEAM	0	17			17 1/2			18			18 1/2			19			19 1/2			20			20 1/2			0
3	WAIST (1/2)	STRAIGHT ACROSS - EDGE TO EDGE	20			21			22 1/2			24			25 1/2			27			29			31			1/2
4	SWEEP (1/2)	STRAIGHT ACROSS HEM EDGE - EDGE TO EDGE	20 1/2			21 1/2			23			24 1/2			26			27 1/2			29 1/2			31 1/2			1/2
5	BACK HEM DROP	CF HEM EDGE TO CB HEM EDGE	2			2			2			2			2			2			2			2			1/4
6	CB LENGTH	CB NECK SEAM TO HEM EDGE	28 1/2			29 1/2			30 1/2			31 1/2			32 1/2			33 1/2			33 1/2			33 1/2			1/2
8	CB SLEEVE LENGTH	CB NECK TO SHOULDER SEAM TO SLEEVE HEM EDGE	34 1/2			35 1/2			36 1/2			37 1/2			38 1/2			39 1/2			39 1/2			39 1/2			1/2
9	BICEP (1/2) SET-IN SLEEVES OR RAGLAN SLEEVES	1" BELOW ARMHOLE- STRAIGHT ACROSS -EDGE TO EDGE	9 1/4			9 1/2			9 7/8			10 1/4			10 5/8			11			11 1/2			12			1/4
PLCMT	ELBOW PLACEMENT: DOWN FROM CB NECK SEAM	0	22 1/2			23 1/4			24			24 3/4			25 1/2			26 1/4			27			27 3/4			0
10	ELBOW (1/2)	STRAIGHT ACROSS - EDGE TO EDGE	8			8 1/4			8 1/2			8 3/4			9			9 1/4			9 1/2			9 3/4			1/4
11	SLEEVE/CUFF HEM OPENING (1/2) RELAXED	STRAIGHT ACROSS AT HEM EDGE	6			6 1/8			6 1/4			6 3/8			6 1/2			6 5/8			6 3/4			6 7/8			1/4
12	COLLAR HEIGHT	TOP COLLAR EDGE TO CF NECK SEAM	3 3/4			3 3/4			3 3/4			3 3/4			3 3/4			3 3/4			3 3/4			3 3/4			1/8
14	NECK WIDTH	HPS NECK SEAM TO HPS NECK SEAM-STRAIGHT ACROSS	7 1/2			7 3/4			8			8 1/4			8 1/2			8 3/4			9			9 1/4			1/4
15	NECK DROP	CB NECK SEAM- STRAIGHT DOWN-LEVEL WITH CF NECK SEAM	4 1/4			4 3/8			4 1/2			4 5/8			4 3/4			4 7/8			5			5 1/8			1/4

REFER TO GARMENT MEASURING GUIDE			REGULAR																								TOL
			XS			S			M			L			XL			2XL			3XL			4XL			
#	POINT OF MEASURE		SPEC	FTY	QC	SPEC	FTY	QC	SPEC	FTY	QC	SPEC	FTY	BEYOND	SPEC	FTY	QC	SPEC	FTY	QC	SPEC	FTY	QC	SPEC	FTY	QC	
PLCMT	HOOD WIDTH PLACEMENT: UP FROM CB AND STRAIGHT ACROSS	0	6 3/4			7			7 1/2			8			8 1/2			9			9 1/2			10			0
16	HOOD WIDTH (1/2) @EYELINE	STRAIGHT ACROSS- EDGE TO EDGE	10 1/4			10 5/8			11			11 3/8			11 3/4			12 1/8			12 1/2			12 7/8			1/2
18	HOOD HEIGHT	HPS TO CENTER OF CROWN (FOLD)	13 7/8			14 1/8			14 3/8			14 5/8			14 7/8			15 1/8			15 3/8			15 5/8			1/2
19	HOOD CENTER LENGTH	BRIM EDGE TO CB NECK SEAM- FOLLOW CURVATURE	19 1/2			20			20 1/2			21			21 1/2			22			22 1/2			23			1/2
0	HOOD OPENING BINDING (1/2)	MEASURE BINDING ALONG CURVE	10			10 3/8			10 3/4			11 1/8			11 1/2			11 7/8			12 1/4			12 5/8			1/4
0	INNER CUFF OPENING (1/2)	MEASURE ALONG OPENING EDGE	3 7/8			4			4 1/8			4 1/4			4 3/8			4 1/2			4 5/8			4 3/4			1/4
0	INNER CUFF HEIGHT	MEASURE JOIN SEAM TO CUFF EDGE	5 1/2			5 1/2			5 1/2			5 1/2			5 1/2			5 1/2			5 1/2			5 1/2			1/4
0	THUMBHOLE OPENING	0	3			3			3			3			3			3			3			3			1/4

REFER TO GARMENT MEASURING GUIDE				REGULAR																								TOL	
				XS			S			M			L			XL			2XL			3XL			4XL				
#	POINT OF MEASURE			SPEC	FTY	QC	SPEC	FTY	QC	SPEC	FTY	QC	SPEC	FTY	BEYOND	SPEC	FTY	QC	SPEC	FTY	QC	SPEC	FTY	QC	SPEC	FTY	QC	TOL	
OTHER GRADED PARTS																													
#	POINT OF MEASURE			QUANTITY	XS			S			M			L			XL			2XL			3XL			4XL			TOL
				SPEC	FTY	QC	SPEC	FTY	QC	SPEC	FTY	QC	SPEC	FTY	BEYOND	SPEC	FTY	QC	SPEC	FTY	QC	SPEC	FTY	QC	SPEC	FTY	QC		
	CF ZIPPER FINISH OPENING LENGTH (incl. COLLAR)	CUT	0										0															1/4	
	0	FINISH	1										29															1/4	
	CHEST POCKET	CUT	0										0															1/4	
	0	FINISH	1										7															1/4	
	FRONT HAND POCKET	CUT	0										0															1/4	
	0	FINISH	2										9															1/4	
	SLEEVE POCKET	CUT	0										0															1/4	
	0	FINISH	2										7															1/4	
	3/4" ELASTIC-INSIDE TOP MESH PKT BAGS	CUT	2										13															1/4	
	0	FINISH	0										0															1/4	
	3/8" GROSGRAIN WIND FLAP	CUT	1										30															1/4	
	0	FINISH	0										0															1/4	
	SHOCKCORD HOOD	CUT	1										10 1/2															1/4	
	0	FINISH	0										0															1/4	
	SHOCKCORD HEM	CUT	1										61															1/4	
	0	FINISH	0										0															1/4	

REFER TO GARMENT MEASURING GUIDE				REGULAR																								TOL	
				XS			S			M			L			XL			2XL			3XL			4XL				
#	POINT OF MEASURE			SPEC	FTY	QC	SPEC	FTY	QC	SPEC	FTY	QC	SPEC	FTY	BEYOND	SPEC	FTY	QC	SPEC	FTY	QC	SPEC	FTY	QC	SPEC	FTY	QC	TOL	
NON-GRADED PARTS - ALL SIZES																													
#	POINT OF MEASURE			QUANTITY	XS			S			M			L			XL			2XL			3XL			4XL			TOL
	1/4" GROSGRAIN - HEM CORD LOCK TETHER	CUT	2										3															1/4	
0		FINISH	0										0															1/4	
	1/4" GROSGRAIN - CB HOOD CORDLOCK TETHER	CUT	1										3 1/2															1/4	
0		FINISH	0										0															1/4	
	1/4"GROSGRAIN- CB HOOD CORD LOCK TETHER	CUT	1										3															1/4	
0		FINISH	0										0															1/4	
	3/8" GROSGRAIN- SIDE HOOD SHOCKCORD TETHER	CUT	2										1 1/2															1/4	
0		FINISH	0										0															1/4	
	3/4" HOOK CF	CUT	5										2															1/4	
0		FINISH	0										0															1/4	
	3/4" LOOP CF	CUT	5										2															1/4	
0		FINISH	0										0															1/4	
	1" LOOP SLV CUFF HEM	DIECUT	2										5															1/4	
0		FINISH	0										0															1/4	
	1" HOOK SLV CUFF TAB	CUT	2										2															1/4	
0		FINISH	0										0															1/4	
	SHOCKCORD-STUFF SACK	CUT	1										30															1/4	
0		FINISH	0										0															1/4	

FINISHED GRADED GARMENT MEASUREMENTS																											
REFER TO GARMENT MEASURING GUIDE			LONG																					TOL			
			LXS			LS			LM			LL			LXL			L2XL			L3XL				L4XL		
#	POINT OF MEASURE		SPEC	FTY	QC	SPEC	FTY	QC	SPEC	FTY	QC	SPEC	FTY	QC	SPEC	FTY	QC	SPEC	FTY	QC	SPEC	FTY	QC	SPEC	FTY	QC	
1	CF LENGTH	CF NECK SEAM TO HEM EDGE	24			25			26			27			28			29			29			29			1/2
2	ACROSS CHEST (1/2)	1" BELOW ARMHOLE SEAM-STRAIGHT ACROSS-EDGE TO EDGE	22 1/4			23 1/4			24 3/4			26 1/4			27 3/4			29 1/4			31 1/4			33 1/4			1/2
PLCMT	WAIST PLACEMENT: DOWN FROM CB NECK SEAM	0	18			18 1/2			19			19 1/2			20			20 1/2			21			21 1/2			0
3	WAIST (1/2)	STRAIGHT ACROSS - EDGE TO EDGE	20			21			22 1/2			24			25 1/2			27			29			31			1/2
4	SWEEP (1/2)	STRAIGHT ACROSS HEM EDGE - EDGE TO EDGE	20 1/2			21 1/2			23			24 1/2			26			27 1/2			29 1/2			31 1/2			1/2
5	BACK HEM DROP	CF HEM EDGE TO CB HEM EDGE	2			2			2			2			2			2			2			2			1/4
6	CB LENGTH	CB NECK SEAM TO HEM EDGE	30 1/2			31 1/2			32 1/2			33 1/2			34 1/2			35 1/2			35 1/2			35 1/2			1/2
8	CB SLEEVE LENGTH	CB NECK TO SHOULDER SEAM TO SLEEVE HEM EDGE	36 1/2			37 1/2			38 1/2			39 1/2			40 1/2			41 1/2			41 1/2			41 1/2			1/2
9	BICEP (1/2) SET-IN SLEEVES OR RAGLAN SLEEVES	1" BELOW ARMHOLE-STRAIGHT ACROSS-EDGE TO EDGE	9 1/4			9 1/2			9 7/8			10 1/4			10 5/8			11			11 1/2			12			1/4
PLCMT	ELBOW PLACEMENT: DOWN FROM CB NECK SEAM	0	23 1/2			24 1/4			25			25 3/4			26 1/2			27 1/4			28			28 3/4			0
10	ELBOW (1/2)	STRAIGHT ACROSS - EDGE TO EDGE	8			8 1/4			8 1/2			8 3/4			9			9 1/4			9 1/2			9 3/4			1/4
11	SLEEVE/CUFF HEM OPENING (1/2) RELAXED	STRAIGHT ACROSS AT HEM EDGE	6			6 1/8			6 1/4			6 3/8			6 1/2			6 5/8			6 3/4			6 7/8			1/4
12	COLLAR HEIGHT	TOP COLLAR EDGE TO CF NECK SEAM	3 3/4			3 3/4			3 3/4			3 3/4			3 3/4			3 3/4			3 3/4			3 3/4			1/8
14	NECK WIDTH	HPS NECK SEAM TO HPS NECK SEAM-STRAIGHT ACROSS	7 1/2			7 3/4			8			8 1/4			8 1/2			8 3/4			9			9 1/4			1/4
15	NECK DROP	CB NECK SEAM - STRAIGHT DOWN-LEVEL WITH CF NECK SEAM	4 1/4			4 3/8			4 1/2			4 5/8			4 3/4			4 7/8			5			5 1/8			1/4

REFER TO GARMENT MEASURING GUIDE			LONG																								TOL
			LXS			LS			LM			LL			LXL			L2XL			L3XL			L4XL			
#	POINT OF MEASURE		SPEC	FTY	QC	SPEC	FTY	QC	SPEC	FTY	QC	SPEC	FTY	QC	SPEC	FTY	QC	SPEC	FTY	QC	SPEC	FTY	QC	SPEC	FTY	QC	
PLCMT	HOOD WIDTH PLACEMENT: UP FROM CB AND STRAIGHT ACROSS	0	6 3/4			7			7 1/2			8			8 1/2			9			9 1/2			10			0
16	HOOD WIDTH (1/2) @EYELINE	STRAIGHT ACROSS- EDGE TO EDGE	10 1/4			10 5/8			11			11 3/8			11 3/4			12 1/8			12 1/2			12 7/8			1/2
18	HOOD HEIGHT	HPS TO CENTER OF CROWN (FOLD)	13 7/8			14 1/8			14 3/8			14 5/8			14 7/8			15 1/8			15 3/8			15 5/8			1/2
19	HOOD CENTER LENGTH	BRIM EDGE TO CB NECK SEAM-FOLLOW CURVATURE	19 1/2			20			20 1/2			21			21 1/2			22			22 1/2			23			1/2
0	HOOD OPENING BINDING (1/2)	MEASURE BINDING ALONG CURVE	9 5/8			10 1/8			10 5/8			11 1/8			11 5/8			12 1/8			12 5/8			13 1/8			1/4
0	INNER CUFF OPENING (1/2)	MEASURE ALONG OPENING EDGE	3 7/8			4			4 1/8			4 1/4			4 3/8			4 1/2			4 5/8			4 3/4			1/4
0	INNER CUFF HEIGHT	MEASURE JOIN SEAM TO CUFF EDGE	5 1/2			5 1/2			5 1/2			5 1/2			5 1/2			5 1/2			5 1/2			5 1/2			1/4
0	THUMBHOLE OPENING	0	3			3			3			3			3			3			3			3			1/4

REFER TO GARMENT MEASURING GUIDE				LONG																								TOL	
				LXS			LS			LM			LL			LXL			L2XL			L3XL			L4XL				
#	POINT OF MEASURE			SPEC	FTY	QC	SPEC	FTY	QC	SPEC	FTY	QC	SPEC	FTY	QC	SPEC	FTY	QC	SPEC	FTY	QC	SPEC	FTY	QC	SPEC	FTY	QC	TOL	
OTHER GRADED PARTS																													
#	POINT OF MEASURE			QUANTITY	SPEC	FTY	QC	SPEC	FTY	QC	SPEC	FTY	QC	SPEC	FTY	QC	SPEC	FTY	QC	SPEC	FTY	QC	SPEC	FTY	QC	SPEC	FTY	QC	TOL
	CF ZIPPER FINISH OPENING LENGTH (incl. COLLAR)	CUT	0											0															1/4
0		FINISH	1											31															1/4
	CHEST POCKET	CUT	0											0															1/4
0		FINISH	1											7															1/4
	FRONT HAND POCKET	CUT	0											0															1/4
0		FINISH	2											9															1/4
	SLEEVE POCKET	CUT	0											0															1/4
0		FINISH	2											7															1/4
	3/4" ELASTIC-INSIDE TOP MESH PKT BAGS	CUT	2											13															1/4
0		FINISH	0											0															1/4
	3/8" GROSGRAIN WIND FLAP	CUT	1											32															1/4
0		FINISH	0											0															1/4
	SHOCKCORD HOOD	CUT	1											10 1/2															1/4
0		FINISH	0											0															1/4
	SHOCKCORD HEM	CUT	1											61															1/4
0		FINISH	0											0															1/4

REFER TO GARMENT MEASURING GUIDE				LONG																								TOL	
				LXS			LS			LM			LL			LXL			L2XL			L3XL			L4XL				
#	POINT OF MEASURE			SPEC	FTY	QC	SPEC	FTY	QC	SPEC	FTY	QC	SPEC	FTY	QC	SPEC	FTY	QC	SPEC	FTY	QC	SPEC	FTY	QC	SPEC	FTY	QC	TOL	
NON-GRADED PARTS - ALL SIZES																													
#	POINT OF MEASURE			QUANTITY	LXS			LS			LM			LL			LXL			L2XL			L3XL			L4XL			TOL
	1/4" GROSGRAIN - HEM CORD LOCK TETHER	CUT	2																										
	0	FINISH	0																										
	1/4" GROSGRAIN - CB HOOD CORDLOCK TETHER	CUT	1																										
	0	FINISH	0																										
	1/4" GROSGRAIN - CB HOOD CORD LOCK TETHER	CUT	1																										
	0	FINISH	0																										
	3/8" GROSGRAIN - SIDE HOOD SHOCKCORD TETHER	CUT	2																										
	0	FINISH	0																										
	3/4" HOOK CF	CUT	5																										
	0	FINISH	0																										
	3/4" LOOP CF	CUT	5																										
	0	FINISH	0																										
	1" LOOP SLV CUFF HEM	DIECUT	2																										
	0	FINISH	0																										
	1" HOOK SLV CUFF TAB	CUT	2																										
	0	FINISH	0																										
	SHOCKCORD-STUFF SACK	CUT	1																										
	0	FINISH	0																										