

CROSSFADER

CPO SHIRT

CF-M004-F21

BEYOND

STATUS: NEW
SAMPLE SIZE: L
SIZE RANGE: XS-4XL (REG/SHORT/LONG)

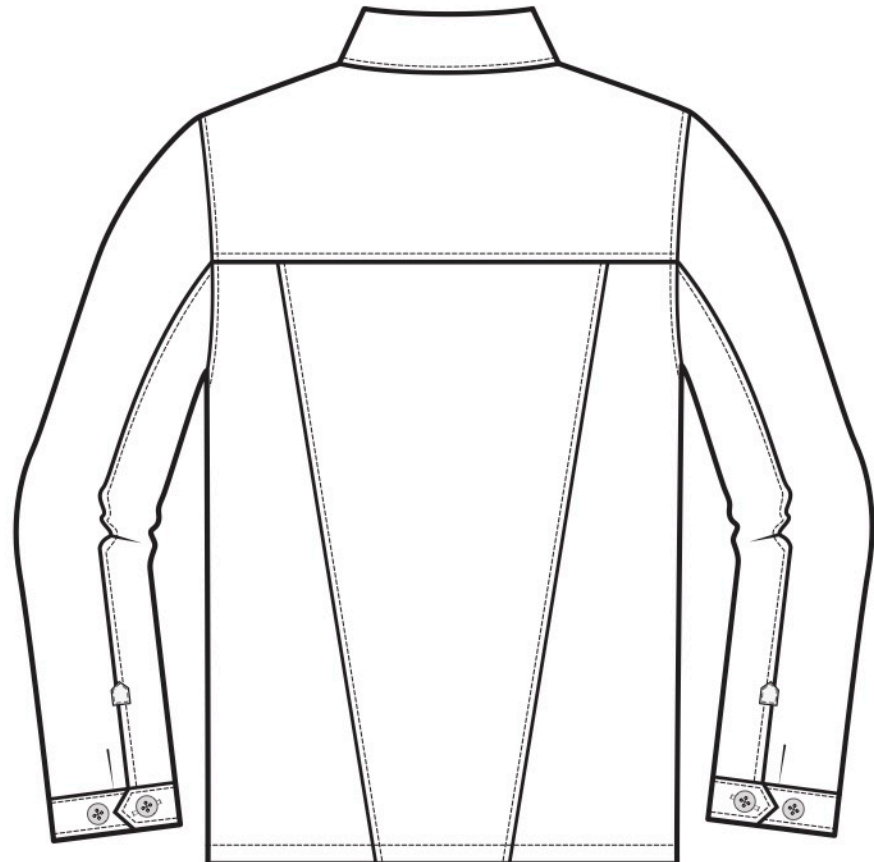
APPROVED FOR SR:
APPROVED FOR BULK:

DATE CREATED: 11JAN21
DATE MODIFIED:

OVERVIEW



FRONT



BACK

STATUS: NEW
 SAMPLE SIZE: L
 SIZE RANGE: XS-4XL (REG/SHORT/LONG)

APPROVED FOR SR:
 APPROVED FOR BULK:

DATE CREATED: 11JAN21
 DATE MODIFIED:

FRONT BODY VIEW

FABRIC
 Shell A: WINNITEX NYCO RIPSTOP

COLLAR
 - DOUBLE LAYER
 - LAY DOWN COLLAR
 - 1/4" TS AROUND EDGE
 - INSIDE NECK IS CLEAN FINISH WITH 1/8" SN TS

EPAULET
 - SET INTO SHOULDER SEAM THEN RUNS THRU SHELL A LOOP
 - BUTTON CLOSURE
 - ANGLED REGULAR BUTTONHOLE
 - 1/4 SNTS

POCKETS
 - SEE DETAIL SKETCH

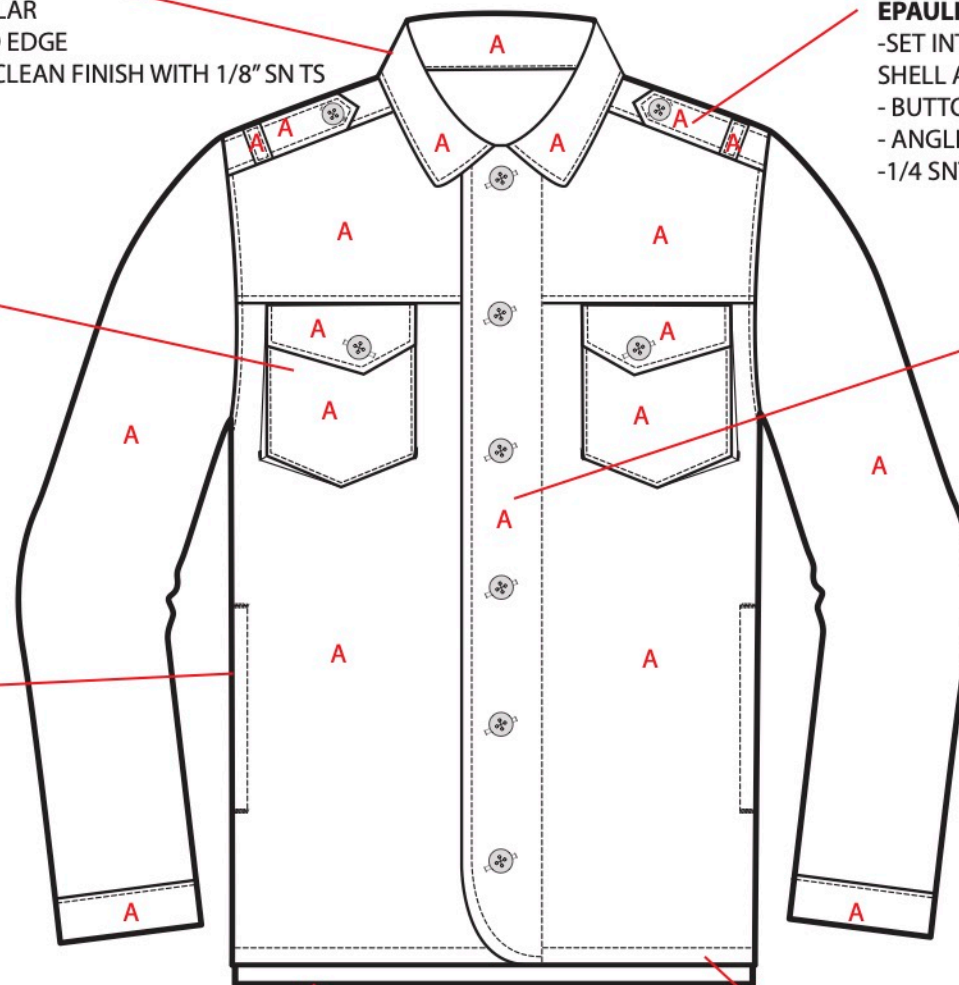
CF PLACKET
 - CF FACING IS SEPARATE PIECE
 - OVERLOCK AT INSIDE EDGE
 - 1/4" SN TS AT CF EDGE
 - 1" ANGLED REGULAR BUTTONHOLES ON WEARERS LEFT
 - BUTTONS ON WEARERS RIGHT

ON SEAM SIDE POCKETS
 - ENTER INTO SIDE SEAM
 - POCKET BAG IS SHELL A AND SEWN INTO CF MAKING AN OPEN POCKET INSIDE
 - 1/2" SNTS AROUND POCKET OPENING
 - BARTACK AT TOP AND BOTTOM OF OPENING

SN SPI = 10-12
 OVERLOCK / COVERSTITCH SPI = 18-20
 BARTACK SPI = 36, WIDTH 3/8"
 ALL FABRIC EDGES SHOULD BE OVERLOCKED

DROP TAIL
 - 1" DROP ON BACK

HEM
 - 1" FINISHED HEM
 - CLEAN FINISH
 - SN TS AT HEM EDGE



CROSSFADER

CPO SHIRT

CF-M004-F21

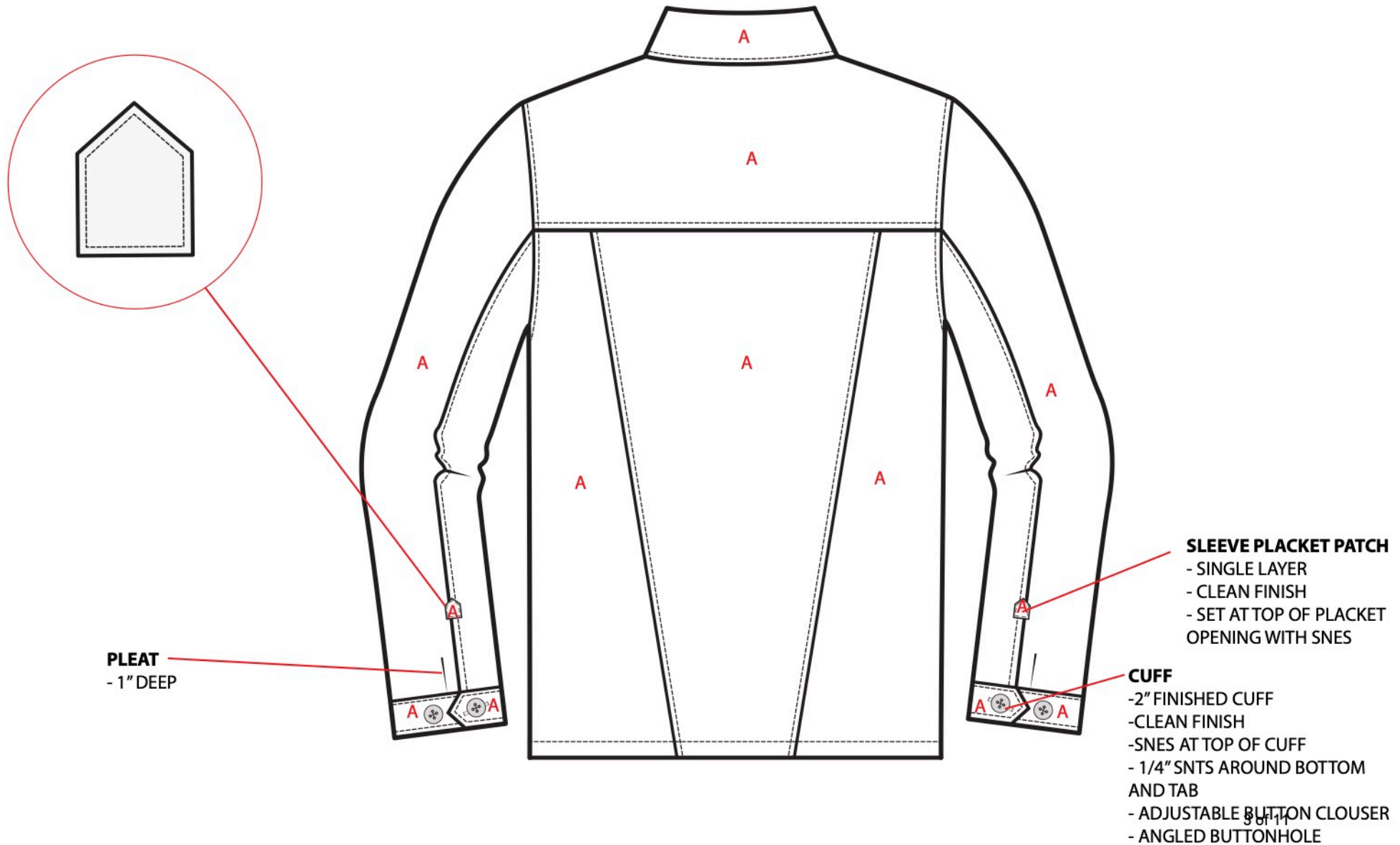
BEYOND

STATUS: NEW
SAMPLE SIZE: L
SIZE RANGE: XS-4XL (REG/SHORT/LONG)

APPROVED FOR SR:
APPROVED FOR BULK:

DATE CREATED: 11JAN21
DATE MODIFIED:

BACK BODY VIEW



CROSSFADER

CPO SHIRT

CF-M004-F21

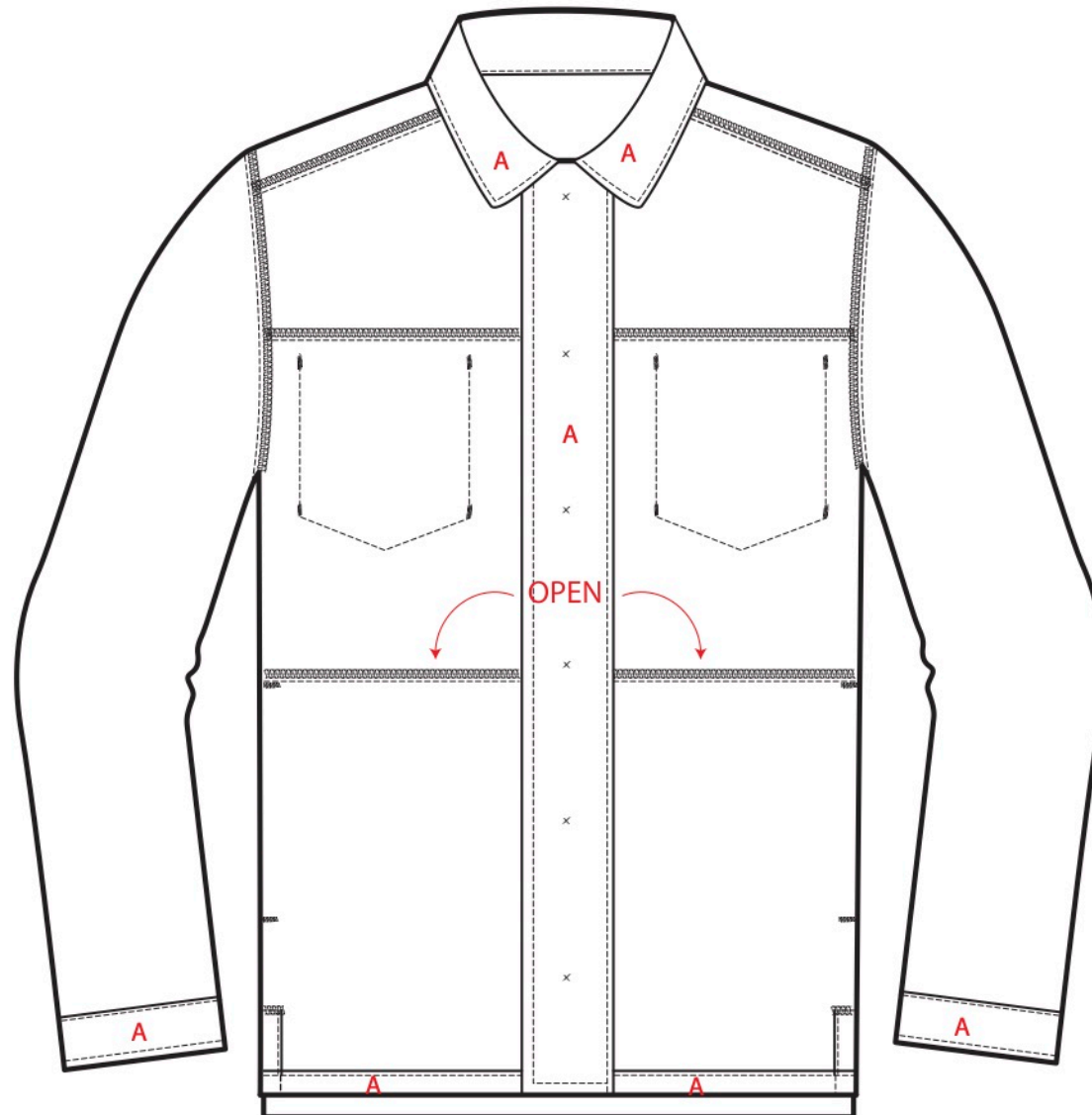
BEYOND

STATUS: NEW
SAMPLE SIZE: L
SIZE RANGE: XS-4XL (REG/SHORT/LONG)

APPROVED FOR SR:
APPROVED FOR BULK:

DATE CREATED: 11JAN21
DATE MODIFIED:

INSIDE FRONT BODY VIEW



BEYOND

STATUS: NEW
 SAMPLE SIZE: L
 SIZE RANGE: XS-4XL (REG/SHORT/LONG)

APPROVED FOR SR:
 APPROVED FOR BULK:

DATE CREATED: 11JAN21
 DATE MODIFIED:

CHEST POCKET DETAIL**OUTER POCKET FLAP**

- CLEAN FINISH DOUBLE LAYER POCKET FLAP
- 1/4" SNTS AT SIDES AND BOTTOM
- OVERLOCK TOP EDGE
- CLEAN FINISH AND SET TO BODY AT CHEST SEAM

BUTTONHOLE

-1"

POCKET HEM

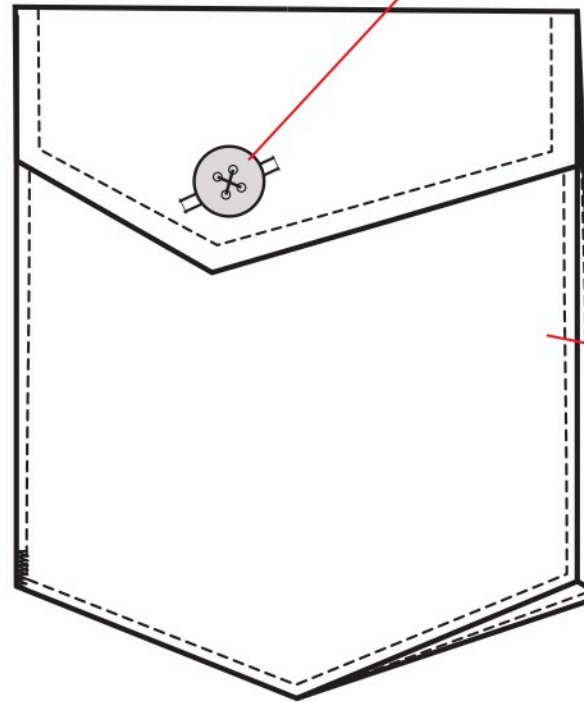
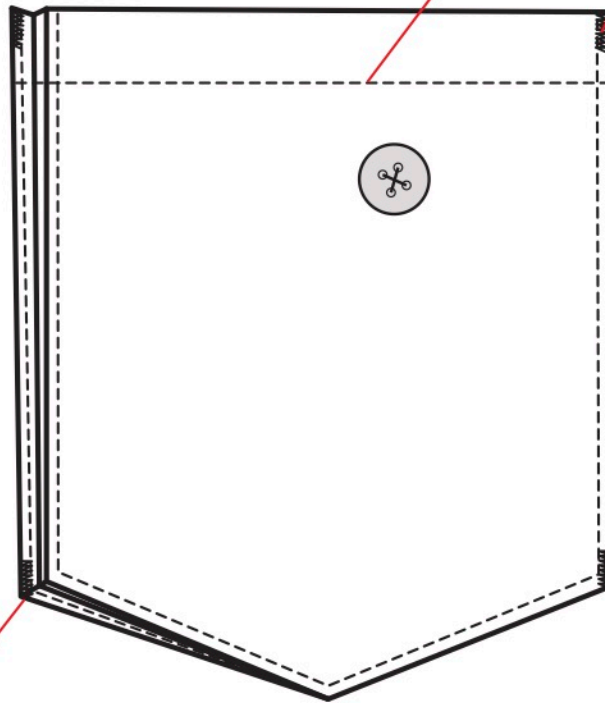
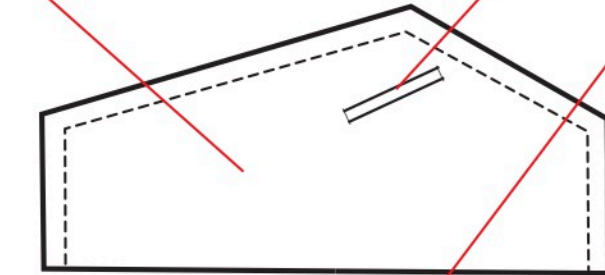
- 3/4" FINISHED HEM
- CLEAN FINISH
- SN TS

BARTACK

- THROUGH ALL LAYERS OF POCKET BAG CLOSEST TO CF

BUTTON

- SEE PATTERN FOR PLACEMENT
- ANGLED BUTTONHOLE

**POCKET BAG**

- SN EDGESTITCH ON POCKET AND BELLOW
- VERTICAL BARTACKS ON ALL FOUR CORNERS OVER STITCH LINE

BARTACK

- THROUGH ALL LAYERS

BELLOWS

- 1" DEEP BELLOWS TOWARDS BACK AND BOTTOM OF POCKET ONLY
- CLEAN FINISH AND APPLY TO BODY WITH SN EDGESTITCH ALL AROUND

CROSSFADER

CPO SHIRT

CF-M004-F21

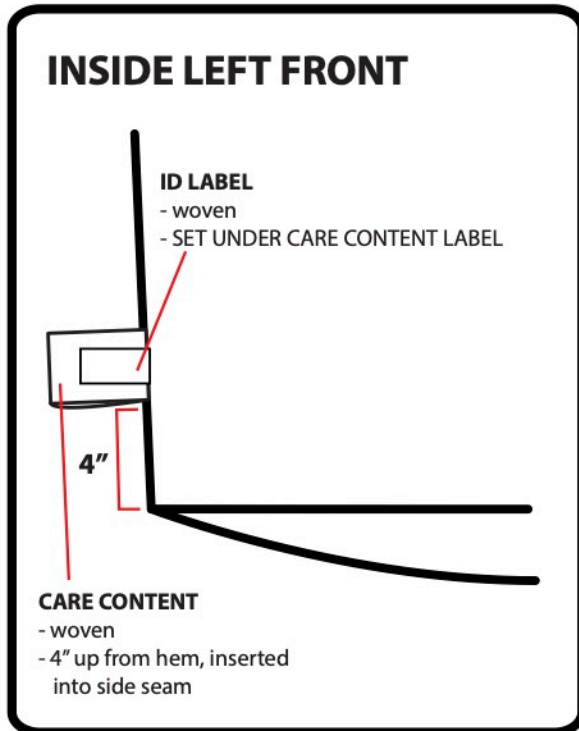
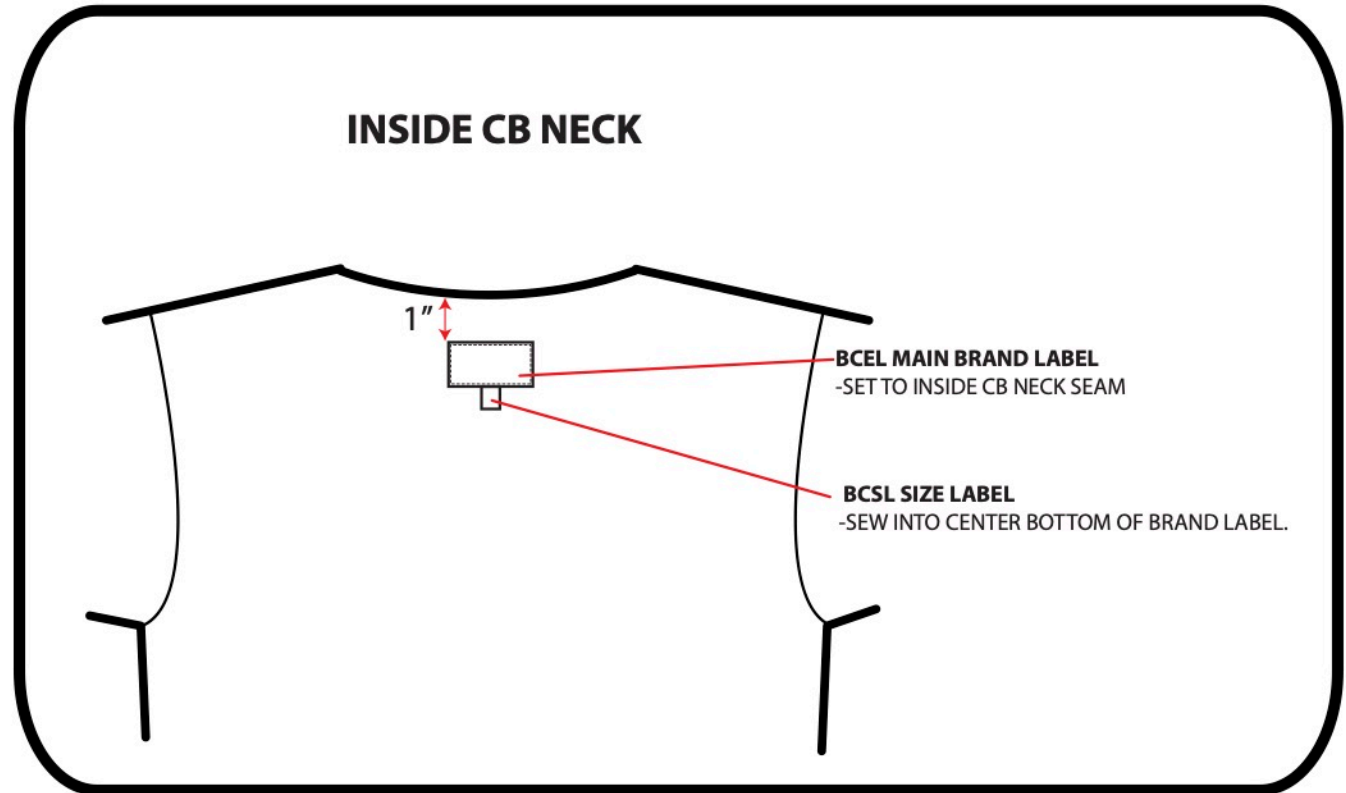
BEYOND

STATUS: NEW
SAMPLE SIZE: L
SIZE RANGE: XS-4XL (REG/SHORT/LONG)

APPROVED FOR SR:
APPROVED FOR BULK:

DATE CREATED: 11JAN21
DATE MODIFIED:

INSIDE LABEL PLACEMENT



CROSSFADER

CPO SHIRT

CF-M004-F21

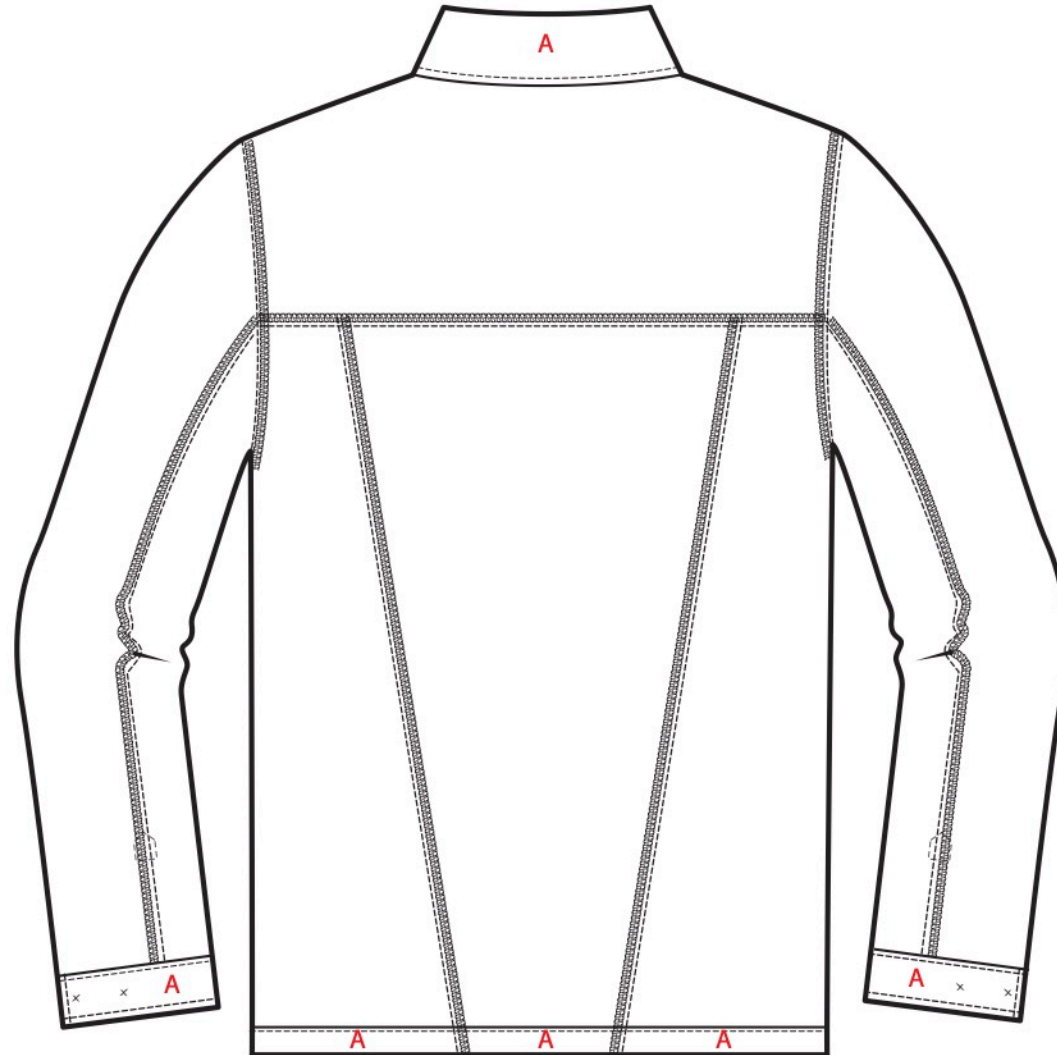
BEYOND

STATUS: NEW
SAMPLE SIZE: L
SIZE RANGE: XS-4XL (REG/SHORT/LONG)

APPROVED FOR SR:
APPROVED FOR BULK:

DATE CREATED: 11JAN21
DATE MODIFIED:

INSIDE BACK BODY VIEW



#	ITEM DESCRIPTION	SKU	VENDOR DESCRIPTION	VENDOR	PLACEMENT / COMMENTS	WIDTH	YIELD	QTY	TOTAL QTY	XS	S	M	L	XL	2XL	3XL	4XL	DESIGN UOM	TIGER STRIPE GREEN AOP	TIGER STRIPE TAN AOP	WOODLAND AOP
1	SHELL A	NYCO RIPSTOP	FABWCN-939 60% COTTON 40% CORDURA NYLON, 6.2OZ/Y2, PRT, 58"CW	WINNITEX	MAIN BODY	58"	2.23											YARD	TIGER STRIPE GREEN	TIGER STRIPE TAN	WOOD LAND
2	PELLON	1212B-F-SUP-EC1315-CHA-000	EC1315 60" Goods Charcoal Fusible Interfacing Medium Weight	SUPERIOR BIAS	(DO NOT FUSE) CUFF, PLACKET, EPAULET, COLLAR, POCKET FLAP	60"	0.24											YARD	CHARCOAL	CHARCOAL	CHARCOAL
TRIMS																					
3	BUTTONS	1212B-N-USB-4HM30L-GRN-000/TAN-000	Industro 4H M 30L Button M118 Black	US BUTTONS	CF, CHEST POCKETS, CUFF, EPAULET	30L		14.00	14.00	14.00	14.00	14.00	14.00	14.00	14.00	14.00	14.00	EACH	GREEN	TAN	GREEN
THREAD																					
4	THREAD	-	TEX40	COATS, AMERICAN & EFIRD	OVERLOCK ALL FABRIC EDGES, ALL TOPSTICHING, BARTACKS													CONE	C5725 BISKRA	32438 TAUPE	C5725 BISKRA
5	THREAD	-	TEX40	COATS, AMERICAN & EFIRD	MAIN WOVEN LABEL FACE ONLY													CONE	C5725 BISKRA	32438 TAUPE	C5725 BISKRA
LABELS / MISC.																					
6	INTERIOR BRANDING LABEL	TBD	TBD	TBD	BEYOND CLOTHING LABEL SET AT INSIDE CENTER BACK 1" DOWN FROM NECK SEAM	67MM X 40MM	1.00	1.00	1.00									EACH	TBD	TBD	TBD
7	SIZE LABEL:	TBD	TBD	TBD	SEWN INTO CENTER BOTTOM OF BEYOND WOVEN LABEL	20MM X 25MM	1.00	1.00	1.00	XS	S	M	L	XL	2XL	3XL	4XL	EACH	TBD	TBD	TBD
8	PRINTED CARE AND CONTENT:	1212B-L-NEX-CCLBL-000-CC103	Woven Care/Content Label USA Made Materials CC103	NEXLABEL	SET INSIDE LEFT FRONT UNDER ID LABEL	1.25" X 1.75"	1.000	1.00	1.00									EACH	WHITE WITH BLACK LETTERING	WHITE WITH BLACK LETTERING	WHITE WITH BLACK LETTERING
9	ID LABEL	1212B-L-NEX-IDLBL-000-WHT	NYLON PO ID LABEL 25MM X 38MM	NEXLABEL	SET UNDER CARE CONTENT LABEL	25MM X 38MM	1.00	1.00	1.00									EACH	WHITE WITH BLACK LETTERING	WHITE WITH BLACK LETTERING	WHITE WITH BLACK LETTERING
HANGTAGS / PACKAGING																					
10	CROSSFADER HANGTAG	TBD	TBD	TBD	ON PLASTIC QUICKTACH LOOP LOCKS THROUGH HANGER LOOP AT CB NECK	4 3/4 X 2 3/8"	1.00	1.00	1.00									EACH	TBD	TBD	TBD
11	HANGTAG STICKER	TBD	TBD	TBD	CENTER BACK, BOTTOM OF BEYOND HANGTAG	2" X 2" RC	1.00	1.00	1.00									EACH	TBD	TBD	TBD
12	PLASTIC QUICKTACH LOOP LOCKS	1212B-N-QUICKTACH LOOP-BLK	PLASTIC QUICKTACH LOOP LOCKS - BLACK SUPPLIER AMAZON	FACTORY SOURCED	THROUGH ALL HANGTAGS ON HANGER LOOP AT CB NECK	5"		1.00	1.00									EACH	BLACK	BLACK	BLACK
13	POLYBAG STICKER	-	UPC STICKER - ONLINE LABELS.COM - OL125WX	FACTORY SOURCED	3" IN AND 3" UP FROM RIGHT BOTTOM OF POLY BAG AFTER GARMENT IS PACKED IN POLYBAG	2" X 4"	1.00	1.00	1.00										WHITE WITH BLACK LETTERING	WHITE WITH BLACK LETTERING	WHITE WITH BLACK LETTERING
14	POLYBAG	-	POLYBAG	FACTORY SOURCED	PLACE GARMENT INSIDE BAG, CLOSE WITH 2 PIECES OF TAPE	25 3/4" X 18"	1.00	1.00	1.00										CLEAR	CLEAR	CLEAR
15	SHIPPING CARTON	-	SHIPPING CARTON	FACTORY SOURCED	N/A	TBD													N/A	N/A	N/A
16	BOX STICKER	-	UPC STICKER - ONLINE LABELS.COM - OL400WX	FACTORY SOURCED	PLACED 2" IN AND 2" DOWN FROM RIGHT TOP CORNER OF BOX ON LONG AND SHORT SIDE OF CARTON	5 1/2 X 8	1.00	1.00	1.00									EACH	WHITE WITH BLACK LETTERING	WHITE WITH BLACK LETTERING	WHITE WITH BLACK LETTERING

FINISHED GRADED GARMENT MEASUREMENTS

REFER TO GARMENT MEASURING GUIDE		REGULAR																								TOL	
		XS			S			M			L			XL			2XL			3XL			4XL				
		SPEC	FTY	QC	SPEC	FTY	QC	SPEC	FTY	QC	SPEC	FTY	QC	SPEC	FTY	QC	SPEC	FTY	QC	SPEC	FTY	QC	SPEC	FTY	QC		
1	CF LENGTH	CF NECK SEAM TO HEM EDGE	24 1/2			25 1/2			26 1/2			27 1/2			28 1/2			29 1/2			29 1/2			29 1/2			1/2
2	ACROSS CHEST (1/2)	1" BELOW ARMHOLE SEAM- STRAIGHT ACROSS-EDGE TO EDGE	19 1/2			20 1/2			22			23 1/2			25			26 1/2			28 1/2			30 1/2			1/2
PLCMT	WAIST PLACEMENT: DOWN FROM CB NECK SEAM	0	17			17 1/2			18			18 1/2			19			19 1/2			20			20 1/2			0
3	WAIST (1/2)	STRAIGHT ACROSS - EDGE TO EDGE	19 1/4			20 1/4			21 3/4			23 1/4			24 3/4			26 1/4			28 1/4			30 1/4			1/2
4	SWEEP (1/2)	STRAIGHT ACROSS HEM EDGE - EDGE TO EDGE	19 1/4			20 1/4			21 3/4			23 1/4			24 3/4			26 1/4			28 1/4			30 1/4			1/2
5	BACK HEM DROP	CF HEM EDGE TO CB HEM EDGE	1 1/2			1 1/2			1 1/2			1 1/2			1 1/2			1 1/2			1 1/2			1 1/2			1/4
6	CB LENGTH	CB NECK SEAM TO HEM EDGE	29 1/4			30 1/4			31 1/4			32 1/4			33 1/4			34 1/4			34 1/4			34 1/4			1/2
7	ACROSS SHOULDER	STRAIGHT ACROSS- SEAM TO SEAM	17 3/8			18 1/8			18 7/8			19 5/8			20 3/8			21 1/8			21 7/8			22 5/8			1/2
8	CB SLEEVE LENGTH	CB NECK TO SHOULDER SEAM TO SLEEVE HEM EDGE	32 3/4			33 3/4			34 3/4			35 3/4			36 3/4			37 3/4			37 3/4			37 3/4			1/2
9	BICEP (1/2) SET-IN SLEEVES OR RAGLAN SLEEVES	1" BELOW ARMHOLE-STRAIGHT ACROSS -EDGE TO EDGE	8 3/4			9			9 3/8			9 3/4			10 1/8			10 1/2			11			11 1/2			1/4
PLCMT	ELBOW PLACEMENT: DOWN FROM CB NECK SEAM	0	22 1/2			23 1/4			24			24 3/4			25 1/2			26 1/4			27			27 3/4			0
10	ELBOW (1/2)	STRAIGHT ACROSS - EDGE TO EDGE	7			7 1/4			7 1/2			7 3/4			8			8 1/4			8 1/2			8 3/4			1/4
11	SLEEVE/CUFF HEM OPENING (1/2) RELAXED	STRAIGHT ACROSS AT HEM EDGE	4 5/8			4 3/4			4 7/8			5			5 1/8			5 1/4			5 3/8			5 1/2			1/4
12	CF COLLAR POINT LENGTH	CF NECK SEAM TO COLLAR POINT	3 1/2			3 1/2			3 1/2			3 1/2			3 1/2			3 1/2			3 1/2			3 1/2			1/8
13	TOP COLLAR EDGE CIRCUMFERENCE	POINT TO POINT	16 3/4			17 1/2			18 1/4			19			19 3/4			20 1/2			21 1/4			22			1/4
14	NECK WIDTH	HPS NECK SEAM TO HPS NECK SEAM-STRAIGHT ACROSS	6 1/2			6 3/4			7			7 1/4			7 1/2			7 3/4			8			8 1/4			1/4
15	NECK DROP	CB NECK SEAM- STRAIGHT DOWN-LEVEL WITH CF NECK SEAM	2 7/8			3			3 1/8			3 1/4			3 3/8			3 1/2			3 5/8			3 3/4			1/4

FINISHED GRADED GARMENT MEASUREMENTS																											
REFER TO GARMENT MEASURING GUIDE			LONG																							TOL	
			LXS			LS			LM			LL			LXL			L2XL			L3XL			L4XL			
#	POINT OF MEASURE		SPEC	FTY	QC	SPEC	FTY	QC	SPEC	FTY	QC	SPEC	FTY	QC	SPEC	FTY	QC	SPEC	FTY	QC	SPEC	FTY	QC	SPEC	FTY	QC	
1	CF LENGTH	CF NECK SEAM TO HEM EDGE	26 1/2			27 1/2			28 1/2			29 1/2			30 1/2			31 1/2			31 1/2			31 1/2			1/2
2	ACROSS CHEST (1/2)	1" BELOW ARMHOLE SEAM-STRAIGHT ACROSS-EDGE TO EDGE	19 1/2			20 1/2			22			23 1/2			25			26 1/2			28 1/2			30 1/2			1/2
PLCMT	WAIST PLACEMENT: DOWN FROM CB NECK SEAM	0	18			18 1/2			19			19 1/2			20			20 1/2			21			21 1/2			0
3	WAIST (1/2)	STRAIGHT ACROSS - EDGE TO EDGE	19 1/4			20 1/4			21 3/4			23 1/4			24 3/4			26 1/4			28 1/4			30 1/4			1/2
4	SWEEP (1/2)	STRAIGHT ACROSS HEM EDGE - EDGE TO EDGE	19 1/4			20 1/4			21 3/4			23 1/4			24 3/4			26 1/4			28 1/4			30 1/4			1/2
5	BACK HEM DROP	CF HEM EDGE TO CB HEM EDGE	1 1/2			1 1/2			1 1/2			1 1/2			1 1/2			1 1/2			1 1/2			1 1/2			1/4
6	CB LENGTH	CB NECK SEAM TO HEM EDGE	31 1/4			32 1/4			33 1/4			34 1/4			35 1/4			36 1/4			36 1/4			36 1/4			1/2
7	ACROSS SHOULDER	STRAIGHT ACROSS-SEAM TO SEAM	17 3/8			18 1/8			18 7/8			19 5/8			20 3/8			21 1/8			21 7/8			22 5/8			1/2
8	CB SLEEVE LENGTH	CB NECK TO SHOULDER SEAM TO SLEEVE HEM EDGE	34 3/4			35 3/4			36 3/4			37 3/4			38 3/4			39 3/4			39 3/4			39 3/4			1/2
9	BICEP (1/2) SET-IN SLEEVES OR RAGLAN SLEEVES	1" BELOW ARMHOLE-STRAIGHT ACROSS -EDGE TO EDGE	8 3/4			9			9 3/8			9 3/4			10 1/8			10 1/2			11			11 1/2			1/4
PLCMT	ELBOW PLACEMENT: DOWN FROM CB NECK SEAM	0	23 1/2			24 1/4			25			25 3/4			26 1/2			27 1/4			28			28 3/4			0
10	ELBOW (1/2)	STRAIGHT ACROSS - EDGE TO EDGE	7			7 1/4			7 1/2			7 3/4			8			8 1/4			8 1/2			8 3/4			1/4
11	SLEEVE/CUFF HEM OPENING (1/2) RELAXED	STRAIGHT ACROSS AT HEM EDGE	4 5/8			4 3/4			4 7/8			5			5 1/8			5 1/4			5 3/8			5 1/2			1/4
12	CF COLLAR POINT LENGTH	CF NECK SEAM TO COLLAR POINT	3 1/2			3 1/2			3 1/2			3 1/2			3 1/2			3 1/2			3 1/2			3 1/2			1/8
13	TOP COLLAR EDGE CIRCUMFERENCE	POINT TO POINT	16 3/4			17 1/2			18 1/4			19			19 3/4			20 1/2			21 1/4			22			1/4
14	NECK WIDTH	HPS NECK SEAM TO HPS NECK SEAM-STRAIGHT ACROSS	6 1/2			6 3/4			7			7 1/4			7 1/2			7 3/4			8			8 1/4			1/4
15	NECK DROP	CB NECK SEAM-STRAIGHT DOWN-LEVEL WITH CF NECK SEAM	2 7/8			3			3 1/8			3 1/4			3 3/8			3 1/2			3 5/8			3 3/4			1/4

FINISHED GRADED GARMENT MEASUREMENTS

REFER TO GARMENT MEASURING GUIDE		SHORT																								TOL	
		SXS			SS			SM			SL			SXL			S2XL			S3XL			S4XL				
		SPEC	FTY	QC	SPEC	FTY	QC	SPEC	FTY	QC	SPEC	FTY	QC	SPEC	FTY	QC	SPEC	FTY	QC	SPEC	FTY	QC	SPEC	FTY	QC		
1	CF LENGTH	CF NECK SEAM TO HEM EDGE	22 1/2			23 1/2			24 1/2			25 1/2			26 1/2			27 1/2			27 1/2			27 1/2			1/2
2	ACROSS CHEST (1/2)	1" BELOW ARMHOLE SEAM-STRAIGHT ACROSS-EDGE TO EDGE	19 1/2			20 1/2			22			23 1/2			25			26 1/2			28 1/2			30 1/2			1/2
PLCMT	WAIST PLACEMENT: DOWN FROM CB NECK SEAM	0	16			16 1/2			17			17 1/2			18			18 1/2			19			19 1/2			0
3	WAIST (1/2)	STRAIGHT ACROSS - EDGE TO EDGE	19 1/4			20 1/4			21 3/4			23 1/4			24 3/4			26 1/4			28 1/4			30 1/4			1/2
4	SWEEP (1/2)	STRAIGHT ACROSS HEM EDGE - EDGE TO EDGE	19 1/4			20 1/4			21 3/4			23 1/4			24 3/4			26 1/4			28 1/4			30 1/4			1/2
5	BACK HEM DROP	CF HEM EDGE TO CB HEM EDGE	1 1/2			1 1/2			1 1/2			1 1/2			1 1/2			1 1/2			1 1/2			1 1/2			1/4
6	CB LENGTH	CB NECK SEAM TO HEM EDGE	27 1/4			28 1/4			29 1/4			30 1/4			31 1/4			32 1/4			32 1/4			32 1/4			1/2
7	ACROSS SHOULDER	STRAIGHT ACROSS-SEAM TO SEAM	17 3/8			18 1/8			18 7/8			19 5/8			20 3/8			21 1/8			21 7/8			22 5/8			1/2
8	CB SLEEVE LENGTH	CB NECK TO SHOULDER SEAM TO SLEEVE HEM EDGE	30 3/4			31 3/4			32 3/4			33 3/4			34 3/4			35 3/4			35 3/4			35 3/4			1/2
9	BICEP (1/2) SET-IN SLEEVES OR RAGLAN SLEEVES	1" BELOW ARMHOLE-STRAIGHT ACROSS -EDGE TO EDGE	8 3/4			9			9 3/8			9 3/4			10 1/8			10 1/2			11			11 1/2			1/4
PLCMT	ELBOW PLACEMENT: DOWN FROM CB NECK SEAM	0	21 1/2			22 1/4			23			23 3/4			24 1/2			25 1/4			26			26 3/4			0
10	ELBOW (1/2)	STRAIGHT ACROSS - EDGE TO EDGE	7			7 1/4			7 1/2			7 3/4			8			8 1/4			8 1/2			8 3/4			1/4
11	SLEEVE/CUFF HEM OPENING (1/2) RELAXED	STRAIGHT ACROSS AT HEM EDGE	4 5/8			4 3/4			4 7/8			5			5 1/8			5 1/4			5 3/8			5 1/2			1/4
12	CF COLLAR POINT LENGTH	CF NECK SEAM TO COLLAR POINT	3 1/2			3 1/2			3 1/2			3 1/2			3 1/2			3 1/2			3 1/2			3 1/2			1/8
13	TOP COLLAR EDGE CIRCUMFERENCE	POINT TO POINT	16 3/4			17 1/2			18 1/4			19			19 3/4			20 1/2			21 1/4			22			1/4
14	NECK WIDTH	HPS NECK SEAM TO HPS NECK SEAM-STRAIGHT ACROSS	6 1/2			6 3/4			7			7 1/4			7 1/2			7 3/4			8			8 1/4			1/4
15	NECK DROP	CB NECK SEAM-STRAIGHT DOWN-LEVEL WITH CF NECK SEAM	2 7/8			3			3 1/8			3 1/4			3 3/8			3 1/2			3 5/8			3 3/4			1/4